



PARTS CATALOG
TC-210 Tiller
Cultivator

21.2cc

SERIAL NUMBERS

S/N 07001001 - 07999999

ECHO, INCORPORATED

400 Oakwood Road Lake Zurich, Illinois 60047 USA

WWW.ECHO-USA.COM



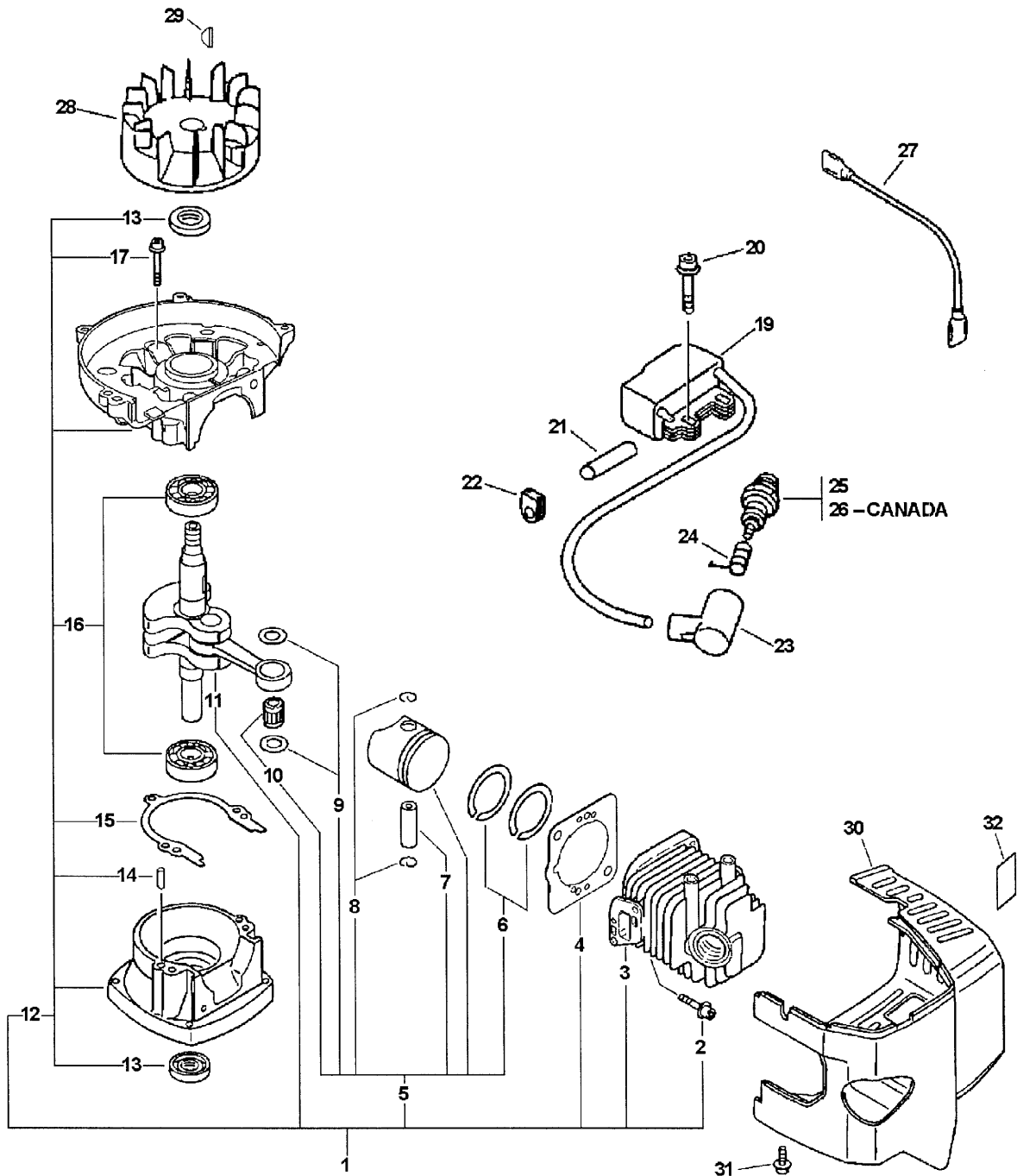
Table of Contents

Click Any Diagram Description Below To View That Diagram.

TC-210 S/N 07001001 - 07999999

Engine, Short Block, Ignition, Cylinder Cover.....	4
Fan Case, Fuel System, Clutch.....	6
Intake, Exhaust.....	8
Carburetor -- C1U-K54A.....	10
Handle, Stop Switch, Throttle Cable.....	12
Part Number Index.....	15
Part Description Index.....	16

This Page Intentionally Left Blank



TC0001005_6_7

TC-210 Tiller Cultivator

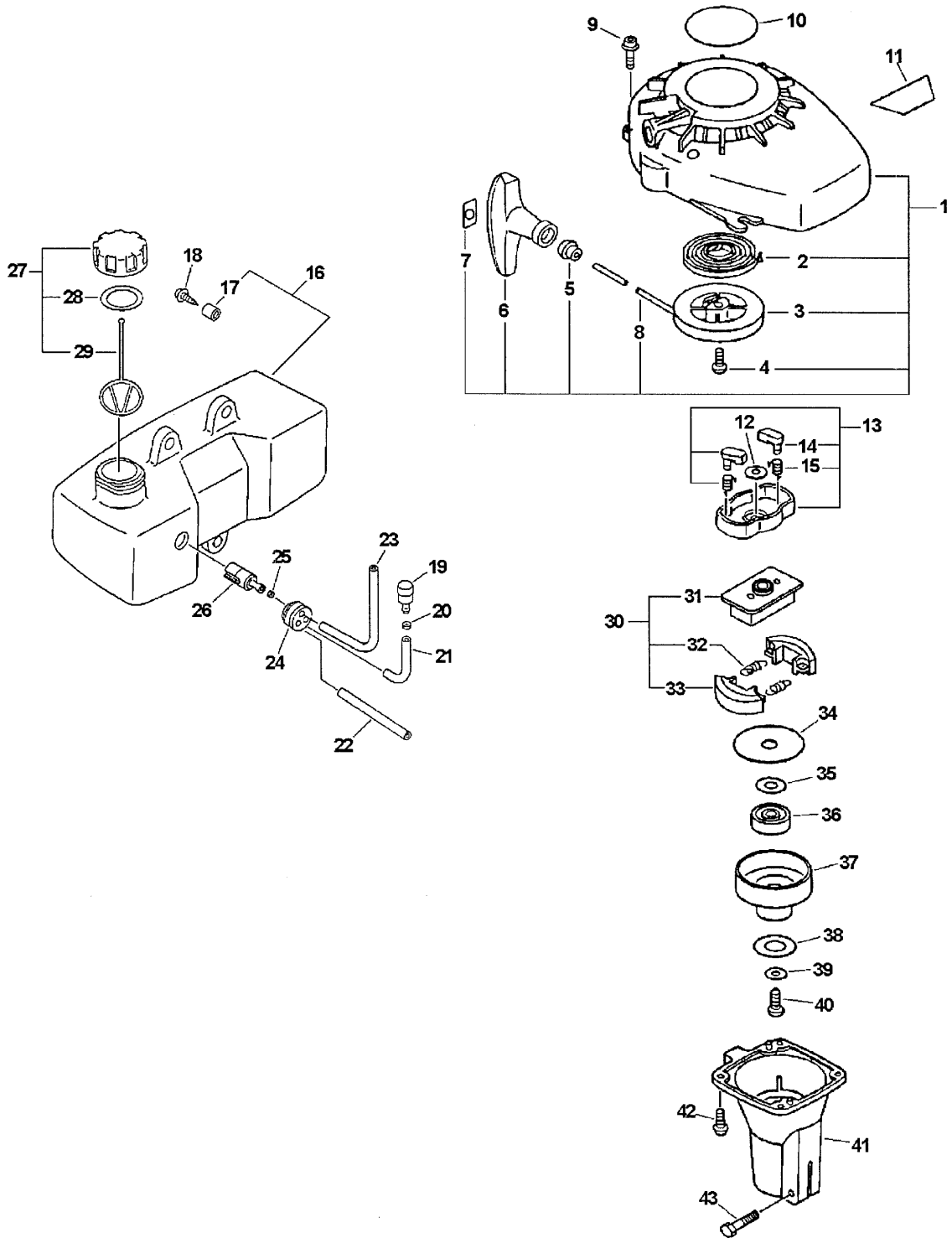
Engine, Short Block, Ignition, Cylinder Cover

ITEM	PART NUMBER	QTY	DESCRIPTION	REMARKS
2	90016205022	2	SCREW 5X22	
3	A130000420	1	CYLINDER	
4	V100000080	1	GASKET, CYLINDER ²	
5	P021001101	1	PISTON KIT	INCLUDES ITEMS 6-9
6	10001105330	2	RING, PISTON	
7	10001311520	1	PIN, PISTON	
8	10001504630	2	CIRCLIP, PISTON PIN	
9	10001411520	2	SPACER, PISTON PIN	
10	V553000010	1	BEARING, NEEDLE	
11	A011000210	1	CRANKSHAFT ASY	
12	10020411520	1	CRANKCASE KIT	INCLUDES ITEMS 13-17
13	10021242031	2	OIL SEAL	
14	V622000020	2	DOWEL PIN	
15	10024242030	1	GASKET, CRANKCASE ²	
16	9403536201	2	BEARING, BALL - 6201	
17	90016205028	3	SCREW 5X28	
19	A411000130	1	COIL, IGNITION	
20	90016204020	2	SCREW 4X20	
21	V475002200	1	TUBE, INSULATOR	
22	15611004920	1	BUSHING	
23	15901201620	1	CAP, SPARK PLUG	
24	15901103432	1	TERMINAL, SPARK PLUG	
25	15901019830	1	SPARK PLUG -- BPM-8Y	
26	A425000000	1	SPARK PLUG -- BPMR-8Y	CANADA MODELS: 07001001-07999999
27	16202152830	1	LEAD, IGNITION	
28	A409000150	1	FLYWHEEL	
29	61032502730	1	WOODRUFF KEY	
30	10150613121	1	COVER, ENGINE	
31	90023804018	2	SCREW 4X18	
32	89016006361	1	LABEL - CAUTION -- HOT	

Footnotes

1: OPTIONAL ENGINE REPOWER

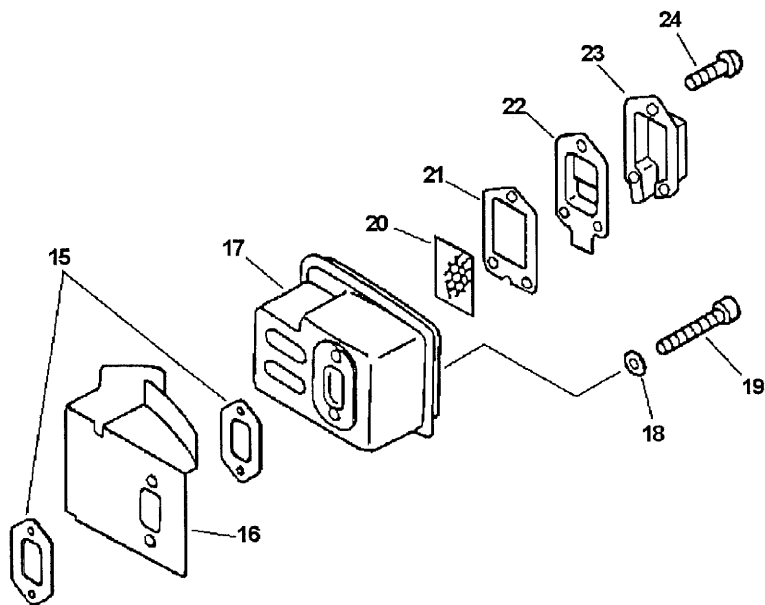
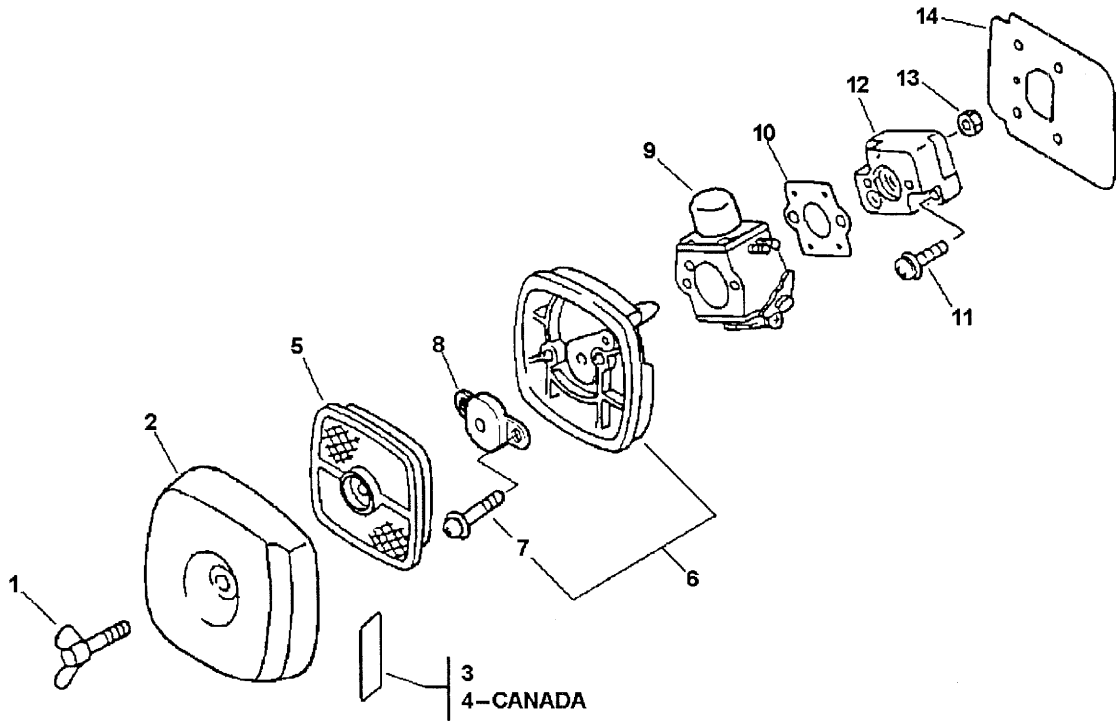
2: Also Included In GASKET KIT



TC 0003 00 000

ITEM	PART NUMBER	QTY	DESCRIPTION	REMARKS
1	17720012220	1	STARTER ASY	INCLUDES ITEMS 2-8
2	17722042030	1	SPRING, REWIND	
3	17721544430	1	DRUM, STARTER	
4	17722610120	1	ROPE, STARTER - 3X1000mm ¹	
5	17722742030	1	GUIDE, ROPE	
6	17722811120	1	GRIP, STARTER	
7	17724611120	1	CLIP, STARTER ROPE	
8	17723644330	1	SCREW	
9	90023804016	4	SCREW 4X16	
10	89011849130	1	LABEL, ECHO	
11	X503003760	1	LABEL - MODEL -- TC-210	
12	90060500008	1	SPRING WASHER 8	
13	17720212220	1	STARTER PAWL ASY	INCLUDES ITEMS 14-15
14	17721844330	2	PAWL, STARTER	
15	17723412220	2	SPRING, PAWL RETURN	
16	13100511821	1	TANK, FUEL	INCLUDES ITEM 17
17	13104528230	3	SPACER	
18	90027505015	3	SCREW 5X15	
19	A356000030	1	VENT ASY	
20	13011100530	1	CLIP	
21	V471001200	1	PIPE, VENT - 3X5X70mm	REPOWER BULK OPTION: 90014
22	13201049030	1	PIPE, RETURN - 3X6X50mm	REPOWER BULK OPTION: 90017
23	V471001230	1	PIPE, FUEL - 3X5X210mm	REPOWER BULK OPTION: 90014
24	V137000030	1	GROMMET	
25	13201309820	1	CLIP	
26	13120507320	1	FILTER, FUEL	
27	13100455530	1	CAP ASY	INCLUDES ITEMS 28-29
28	13101655830	1	GASKET, CAP	
29	13105156030	1	CONNECTOR, CAP	
30	17500007531	1	CLUTCH ASY	INCLUDES ITEMS 31-33
31	17501605020	1	HUB, CLUTCH	
32	17501805130	2	SPRING, CLUTCH	
33	17500905131	2	SHOE, CLUTCH	
34	17501904630	1	PLATE, CLUTCH	
35	90060000010	1	WASHER 10	
36	90080836000	1	BEARING, BALL	
37	17501004633	1	DRUM, CLUTCH	
38	17504404630	1	WASHER, CLUTCH	
39	17501411520	1	WASHER, CLUTCH	
40	90023806012	1	SCREW 6X12	
41	61022311520	1	CASE, CLUTCH	
42	90023804014	4	SCREW 4X14	
43	13041611520	1	BOLT	

Footnotes

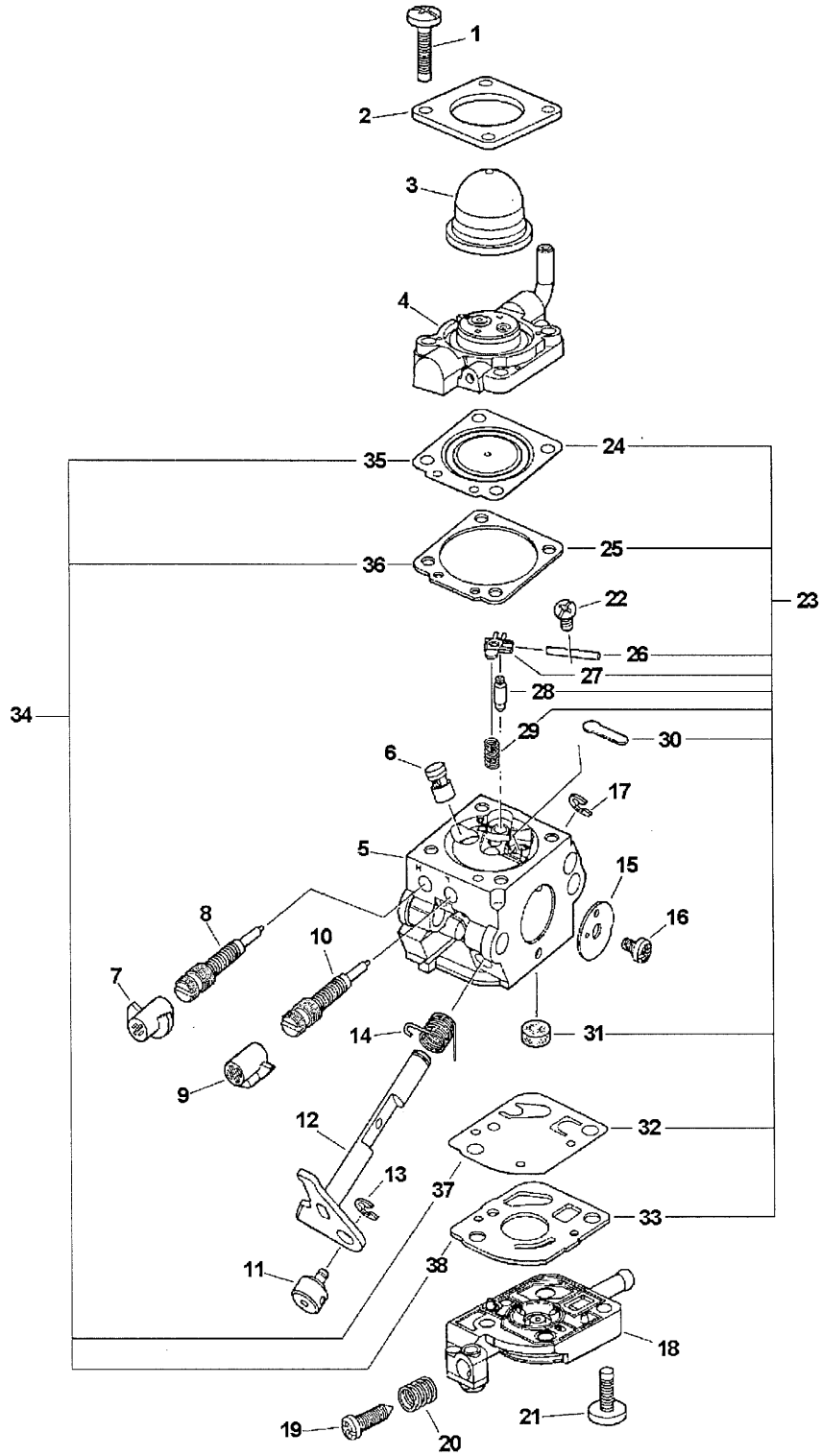


TC0005 005_6_7

ITEM	PART NUMBER	QTY	DESCRIPTION	REMARKS
1	21041752730	1	WING BOLT	
2	13031306563	1	COVER, AIR CLEANER	
3	89012106360	1	LABEL, CHOKE	
4	89012148830	1	LABEL, CHOKE	CANADA MODELS: 07001001-07999999
5	13031054130	1	FILTER, AIR	
6	P021002921	1	CASE, AIR CLEANER	INCLUDES ITEM 7
7	90024205065	2	SCREW 5X65	
8	12901152730	1	PLATE, PREVENT	
9	12520013123	1	CARBURETOR -- C1U-K54	
10	V103000111	1	GASKET, INTAKE ¹	
11	90023805020	2	SCREW 5X20	
12	13001742031	1	INSULATOR	
13	90050000005	2	NUT 5	
14	13001042032	1	SHIELD, CYLINDER ¹	
15	V104000160	2	GASKET, EXHAUST ¹	
16	14587105360	1	SHIELD, EXHAUST	
17	14581011520	1	MUFFLER	
18	90060000005	2	WASHER 5	
19	90010505050	2	SCREW 5X50	
20	14586240630	1	SCREEN, MUFFLER	
21	14586642031	1	GASKET, EXHAUST ¹	
22	14587642030	1	GUIDE, EXHAUST - INNER	
23	14586311520	1	GUIDE, EXHAUST - OUTER	
24	90024204010	3	SCREW 4X10	

Footnotes

¹: Also Included In GASKET KIT

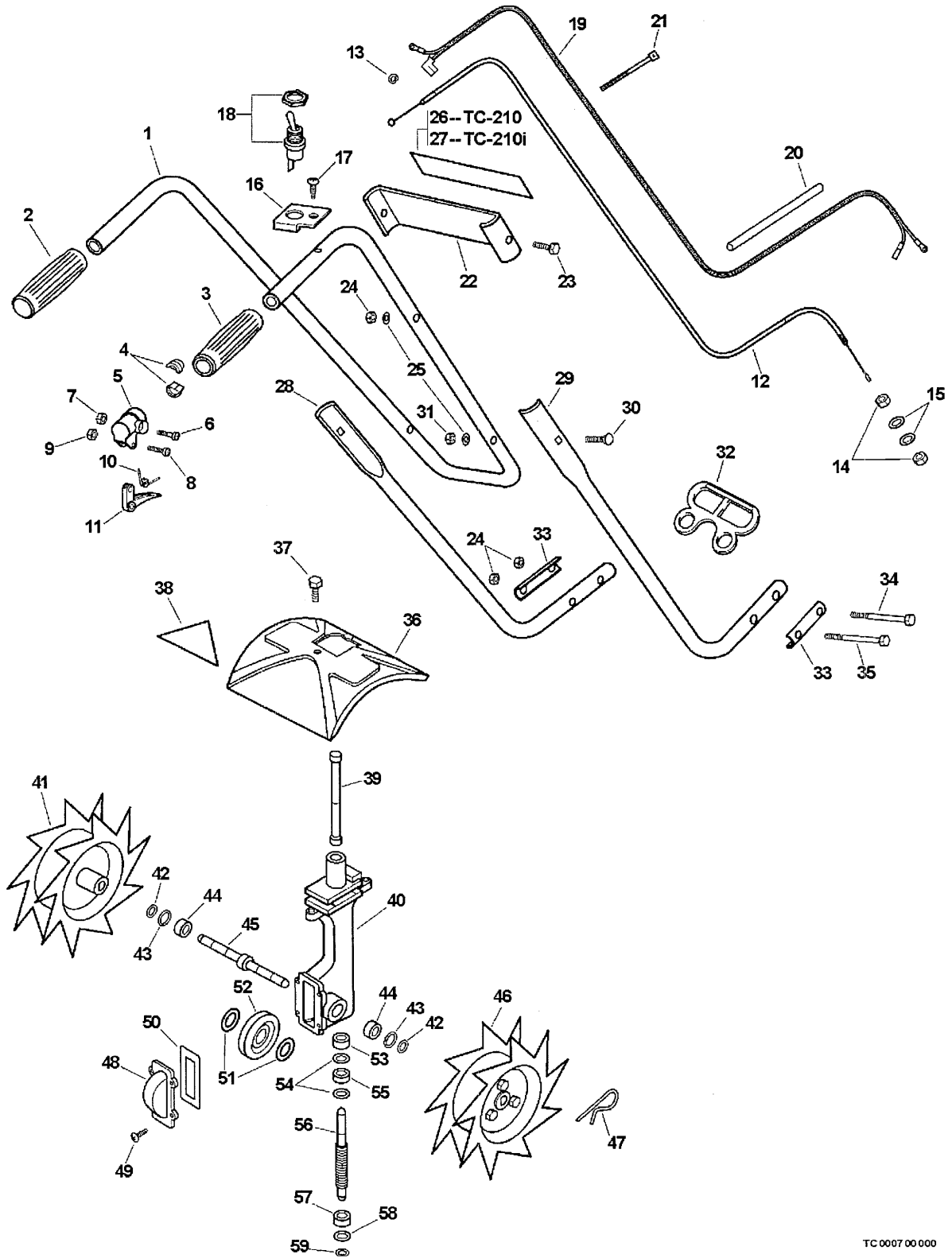


C1U_K54A1235_6_7

ITEM	PART NUMBER	QTY	DESCRIPTION	REMARKS
	12520013123	1	CARBURETOR -- C1U-K54A	
1	12534405360	4	SCREW, PURGE BASE	
2	P005000620	1	RETAINER, PURGE BULB	
3	12538108660	1	BULB, PURGE	
4	P005000600	1	BASE, PURGE	
5	-----	1	BODY, CARBURETOR ¹	
6	12537613120	1	NOZZLE, CHECK VALVE	
7	12532939030	1	CAP, MIXTURE LIMITER - HIGH SPEED	
8	12532013310	1	NEEDLE - HIGH SPEED	
9	12532909860	1	CAP, MIXTURE LIMITER - LOW SPEED	
10	12531813120	1	NEEDLE - LOW SPEED	
11	12537242030	1	SWIVEL	
12	12531713310	1	SHAFT, THROTTLE	
13	12532713930	1	CLIP, THROTTLE SHAFT	
14	12531342030	1	SPRING, THROTTLE RETURN	
15	12531649030	1	VALVE, THROTTLE	
16	12531413930	1	SCREW, THROTTLE VALVE	
17	12532715130	1	CLIP, THROTTLE SHAFT	
18	12532412820	1	COVER, FUEL PUMP	
19	12533406960	1	SCREW, IDLE ADJUST	
20	12533306960	1	SPRING, IDLE ADJUST	
21	12531012820	2	SCREW, FUEL PUMP COVER	
22	12533942030	1	SCREW, METERING LEVER PIN	
23	12530012820	1	REPAIR KIT	INCLUDES ITEMS 24-33
24	-----	1	DIAPHRAGM, METERING	
25	-----	1	GASKET, METERING DIAPHRAGM	
26	-----	1	PIN, METERING LEVER	
27	-----	1	LEVER, METERING	
28	-----	1	VALVE, INLET NEEDLE	
29	-----	1	SPRING, METERING LEVER	
30	-----	1	WELCH PLUG	
31	-----	1	STRAINER	
32	-----	1	DIAPHRAGM, FUEL PUMP	
33	-----	1	GASKET, FUEL PUMP	
34	12530320560	1	GASKET/DIAPHRAGM KIT	INCLUDES ITEMS 35-38
35	-----	1	DIAPHRAGM, METERING	
36	-----	1	GASKET, METERING DIAPHRAGM	
37	-----	1	DIAPHRAGM, FUEL PUMP	
38	-----	1	GASKET, FUEL PUMP	

Footnotes

1: NOT AVAILABLE SEPARATELY



TC 0007 00 000

TC-210 Tiller Cultivator

Handle, Stop Switch, Throttle Cable

ITEM	PART NUMBER	QTY	DESCRIPTION	REMARKS
1	35101013351	1	HANDLE, UPPER	
2	35131102330	1	GRIP, HANDLE - LEFT	
3	35131527930	1	GRIP, HANDLE - RIGHT	
4	17811113350	2	CLIP	
5	17802408730	1	BRACKET, THROTTLE	
6	17811005330	1	SCREW	
7	90056000005	1	LOCKNUT	
8	90022005025	1	SCREW 5X25	
9	90050000005	1	NUT 5	
10	17804305230	1	SPRING, THROTTLE RETURN	
11	17801006460	1	TRIGGER, THROTTLE	
12	17800111520	1	CABLE, THROTTLE	
13	V583000020	1	E-RING	
14	90050200006	2	NUT 6	
15	90061000006	2	LOCKWASHER 6	
16	16381013350	1	BRACKET, SWITCH	
17	90025305010	1	SCREW 5X10	
18	16340002160	1	SWITCH, IGNITION	
19	V485000251	1	LEAD, GROUND	
20	17812750330	1	TUBE, VINYL	
21	17812143230	2	TIE STRAP	
22	35131213350	1	BRACKET, HANDLE	
23	90001708040	2	BOLT 1/4X1-1/4	
24	90003100008	4	LOCKNUT 1/4	
25	16389213350	6	SPRING WASHER	
26	89016011760	1	LABEL, CAUTION -- TC-210	
27	X503004700	1	LABEL, CAUTION -- TC-210i	
28	35121013350	1	HANDLE, LOWER - LEFT	
29	35111013350	1	HANDLE, LOWER - RIGHT	
30	90001808040	2	BOLT 1/4X1-1/4	
31	90003208032	2	NUT 1/4	
32	30581113350	1	HANDLE, FRONT	
33	69401113350	2	EYE PLATE	
34	90001708096	1	BOLT 1/4X3	
35	90001708104	1	BOLT 1/4X3-1/4	
36	69401013351	1	SHEILD, BLADE	
37	90002108016	2	BOLT 1/4X1/2	
38	X505001210	1	LABEL, CAUTION	
39	60531012350	1	DRIVESHAFT	
40	60541012350	1	HOUSING, WORM GEAR	
41	69001113350	1	ROTOR, CULTIVATOR - LEFT	
42	60542813350	2	RETAINER, BEARING SEAL	
43	60541713350	2	SEAL, BEARING	
44	60422113350	2	BEARING, WORM GEAR	
45	60531413350	1	SHAFT, TINE	
46	69001013350	1	ROTOR, CULTIVATOR - RIGHT	
47	60561213350	2	SNAP PIN	
48	66002012350	1	COVER, HOUSING	
49	90008200100	4	SCREW	
50	60541212350	1	GASKET, HOUSING COVER	
51	60531613350	2	THRUST WASHER, WORM GEAR	
52	60531513350	1	GEAR, WORM	
53	60541813350	1	BEARING	
54	60532413350	2	RACE, WORM BEARING	
55	60543313350	1	THRUST BEARING, WORM SHAFT	
56	60531313350	1	SHAFT, WORM	

TC-210 Tiller Cultivator

Handle, Stop Switch, Throttle Cable

<u>ITEM</u>	<u>PART NUMBER</u>	<u>QTY</u>	<u>DESCRIPTION</u>	<u>REMARKS</u>
57	60541812350	1	BEARING	
58	60551112350	1	DISC, WORM SHAFT	
59	90070200015	1	RING, RETAINING	



Part Number Index

Click The Page Number After Any Part Number To View The Diagram Containing That Part.

Part Number	Page	Part Number	Page	Part Number	Page
-----	11	17722610120	7	90050200006	13
10001105330	5	17722742030	7	90056000005	13
10001311520	5	17722811120	7	90060000005	9
10001411520	5	17723412220	7	90060000010	7
10001504630	5	17723644330	7	90060500008	7
10020411520	5	17724611120	7	90061000006	13
10021242031	5	17800111520	13	90070200015	14
10024242030	5	17801006460	13	90080836000	7
10150613121	5	17802408730	13	9403536201	5
12520013123	9, 11	17804305230	13	A011000210	5
12530012820	11	17811005330	13	A130000420	5
12530320560	11	17811113350	13	A356000030	7
12531012820	11	17812143230	13	A409000150	5
12531342030	11	17812750330	13	A411000130	5
12531413930	11	21041752730	9	A425000000	5
12531649030	11	30581113350	13	P005000600	11
12531713310	11	35101013351	13	P005000620	11
12531813120	11	35111013350	13	P021001101	5
12532013310	11	35121013350	13	P021002921	9
12532412820	11	35131102330	13	P021004670	5, 9
12532713930	11	35131213350	13	SB1071	5
12532715130	11	35131527930	13	V100000080	5
12532909860	11	60422113350	13	V103000111	9
12532939030	11	60531012350	13	V104000160	9
12533306960	11	60531313350	13	V137000030	7
12533406960	11	60531413350	13	V471001200	7
12533942030	11	60531513350	13	V471001230	7
12534405360	11	60531613350	13	V475002200	5
12537242030	11	60532413350	13	V485000251	13
12537613120	11	60541012350	13	V553000010	5
12538108660	11	60541212350	13	V583000020	13
12901152730	9	60541713350	13	V622000020	5
13001042032	9	60541812350	14	X503003760	7
13001742031	9	60541813350	13	X503004700	13
13011100530	7	60542813350	13	X505001210	13
13031054130	9	60543313350	13		
13031306563	9	60551112350	14		
13041611520	7	60561213350	13		
13100455530	7	61022311520	7		
13100511821	7	61032502730	5		
13101655830	7	66002012350	13		
13104528230	7	69001013350	13		
13105156030	7	69001113350	13		
13120507320	7	69401013351	13		
13201049030	7	69401113350	13		
13201309820	7	89011849130	7		
14581011520	9	89012106360	9		
14586240630	9	89012148830	9		
14586311520	9	89016006361	5		
14586642031	9	89016011760	13		
14587105360	9	90001708040	13		
14587642030	9	90001708096	13		
15611004920	5	90001708104	13		
15901019830	5	90001808040	13		
15901103432	5	90002108016	13		
15901201620	5	90003100008	13		
16202152830	5	90003208032	13		
16340002160	13	90008200100	13		
16381013350	13	90010505050	9		
16389213350	13	90016204020	5		
17500007531	7	90016205022	5		
17500905131	7	90016205028	5		
17501004633	7	90022005025	13		
17501411520	7	90023804014	7		
17501605020	7	90023804016	7		
17501805130	7	90023804018	5		
17501904630	7	90023805020	9		
17504404630	7	90023806012	7		
17720012220	7	90024204010	9		
17720212220	7	90024205065	9		
17721544430	7	90025305010	13		
17721844330	7	90027505015	7		
17722042030	7	90050000005	9, 13		



Part Description Index

Click The Page Number After Any Part Description To View The Diagram Containing That Part.

<p>B</p> <p>BASE, PURGE.....11 BEARING.....13, 14 BEARING, BALL.....7 BEARING, BALL - 6201.....5 BEARING, NEEDLE.....5 BEARING, WORM GEAR.....13 BODY, CARBURETOR.....11 BOLT.....7 BOLT 1/4X1/2.....13 BOLT 1/4X1-1/4.....13 BOLT 1/4X3.....13 BOLT 1/4X3-1/4.....13 BRACKET, HANDLE.....13 BRACKET, SWITCH.....13 BRACKET, THROTTLE.....13 BULB, PURGE.....11 BUSHING.....5</p> <p>C</p> <p>CABLE, THROTTLE.....13 CAP ASY.....7 CAP, MIXTURE LIMITER - HIGH SPEED.....11 CAP, MIXTURE LIMITER - LOW SPEED.....11 CAP, SPARK PLUG.....5 CARBURETOR -- C1U-K54.....9 CARBURETOR -- C1U-K54A.....11 CASE, AIR CLEANER.....9 CASE, CLUTCH.....7 CIRCLIP, PISTON PIN.....5 CLIP.....7, 13 CLIP, STARTER ROPE.....7 CLIP, THROTTLE SHAFT.....11 CLUTCH ASY.....7 COIL, IGNITION.....5 CONNECTOR, CAP.....7 COVER, AIR CLEANER.....9 COVER, ENGINE.....5 COVER, FUEL PUMP.....11 COVER, HOUSING.....13 CRANKCASE KIT.....5 CRANKSHAFT ASY.....5 CYLINDER.....5</p> <p>D</p> <p>DIAPHRAGM, FUEL PUMP.....11 DIAPHRAGM, METERING.....11 DISC, WORM SHAFT.....14 DOWEL PIN.....5 DRIVESHAFT.....13 DRUM, CLUTCH.....7 DRUM, STARTER.....7</p> <p>E</p> <p>E-RING.....13 EYE PLATE.....13</p> <p>F</p> <p>FILTER, AIR.....9 FILTER, FUEL.....7 FLYWHEEL.....5</p>	<p>G</p> <p>GASKET KIT.....5, 9 GASKET, CAP.....7 GASKET, CRANKCASE.....5 GASKET, CYLINDER.....5 GASKET, EXHAUST.....9 GASKET, FUEL PUMP.....11 GASKET, HOUSING COVER.....13 GASKET, INTAKE.....9 GASKET, METERING DIAPHRAGM.....11 GASKET/DIAPHRAGM KIT.....11 GEAR, WORM.....13 GRIP, HANDLE - LEFT.....13 GRIP, HANDLE - RIGHT.....13 GRIP, STARTER.....7 GROMMET.....7 GUIDE, EXHAUST - INNER.....9 GUIDE, EXHAUST - OUTER.....9 GUIDE, ROPE.....7</p> <p>H</p> <p>HANDLE, FRONT.....13 HANDLE, LOWER - LEFT.....13 HANDLE, LOWER - RIGHT.....13 HANDLE, UPPER.....13 HOUSING, WORM GEAR.....13 HUB, CLUTCH.....7</p> <p>I</p> <p>INSULATOR.....9</p> <p>L</p> <p>LABEL - CAUTION -- HOT.....5 LABEL - MODEL -- TC-210.....7 LABEL, CAUTION.....13 LABEL, CAUTION -- TC-210.....13 LABEL, CAUTION -- TC-210i.....13 LABEL, CHOKE.....9 LABEL, ECHO.....7 LEAD, GROUND.....13 LEAD, IGNITION.....5 LEVER, METERING.....11 LOCKNUT.....13 LOCKNUT 1/4.....13 LOCKWASHER 6.....13</p> <p>M</p> <p>MUFFLER.....9</p> <p>N</p> <p>NEEDLE - HIGH SPEED.....11 NEEDLE - LOW SPEED.....11 NOZZLE, CHECK VALVE.....11 NUT 1/4.....13 NUT 5.....9, 13 NUT 6.....13</p> <p>O</p> <p>OIL SEAL.....5</p>	<p>P</p> <p>PAWL, STARTER.....7 PIN, METERING LEVER.....11 PIN, PISTON.....5 PIPE, FUEL - 3X5X210mm.....7 PIPE, RETURN - 3X6X50mm.....7 PIPE, VENT - 3X5X70mm.....7 PISTON KIT.....5 PLATE, CLUTCH.....7 PLATE, PREVENT.....9</p> <p>R</p> <p>RACE, WORM BEARING.....13 REPAIR KIT.....11 RETAINER, BEARING SEAL.....13 RETAINER, PURGE BULB.....11 RING, PISTON.....5 RING, RETAINING.....14 ROPE, STARTER - 3X1000mm.....7 ROTOR, CULTIVATOR - LEFT.....13 ROTOR, CULTIVATOR - RIGHT.....13</p> <p>S</p> <p>SCREEN, MUFFLER.....9 SCREW.....7, 13 SCREW 5X20.....9 SCREW 5X65.....9 SCREW 4X10.....9 SCREW 4X14.....7 SCREW 4X16.....7 SCREW 4X18.....5 SCREW 4X20.....5 SCREW 5X10.....13 SCREW 5X15.....7 SCREW 5X22.....5 SCREW 5X25.....13 SCREW 5X28.....5 SCREW 5X50.....9 SCREW 6X12.....7 SCREW, FUEL PUMP COVER.....11 SCREW, IDLE ADJUST.....11 SCREW, METERING LEVER PIN.....11 SCREW, PURGE BASE.....11 SCREW, THROTTLE VALVE.....11 SEAL, BEARING.....13 SHAFT, THROTTLE.....11 SHAFT, TINE.....13 SHAFT, WORM.....13 SHEILD, BLADE.....13 SHIELD, CYLINDER.....9 SHIELD, EXHAUST.....9 SHOE, CLUTCH.....7 SHORT BLOCK.....5 SNAP PIN.....13 SPACER.....7 SPACER, PISTON PIN.....5 SPARK PLUG -- BPM-8Y.....5 SPARK PLUG -- BPMR-8Y.....5 SPRING WASHER.....13 SPRING WASHER 8.....7 SPRING, CLUTCH.....7 SPRING, IDLE ADJUST.....11 SPRING, METERING LEVER.....11 SPRING, PAWL RETURN.....7</p>
---	---	--



Part Description Index (continued)

SPRING, REWIND.....7
SPRING, THROTTLE RETURN.....11
SPRING, THROTTLE RETURN.....13
STARTER ASY.....7
STARTER PAWL ASY.....7
STRAINER.....11
SWITCH, IGNITION.....13
SWIVEL.....11

T

TANK, FUEL.....7
TERMINAL, SPARK PLUG.....5
THRUST BEARING, WORM SHAFT.....13
THRUST WASHER, WORM GEAR.....13
TIE STRAP.....13
TRIGGER, THROTTLE.....13
TUBE, INSULATOR.....5
TUBE, VINYL.....13

V

VALVE, INLET NEEDLE.....11
VALVE, THROTTLE.....11
VENT ASY.....7

W

WASHER 10.....7
WASHER 5.....9
WASHER, CLUTCH.....7
WELCH PLUG.....11
WING BOLT.....9
WOODRUFF KEY.....5



ECHO, INCORPORATED

400 Oakwood Road
Lake Zurich, IL 60047 USA

WWW.ECHO-USA.COM
