

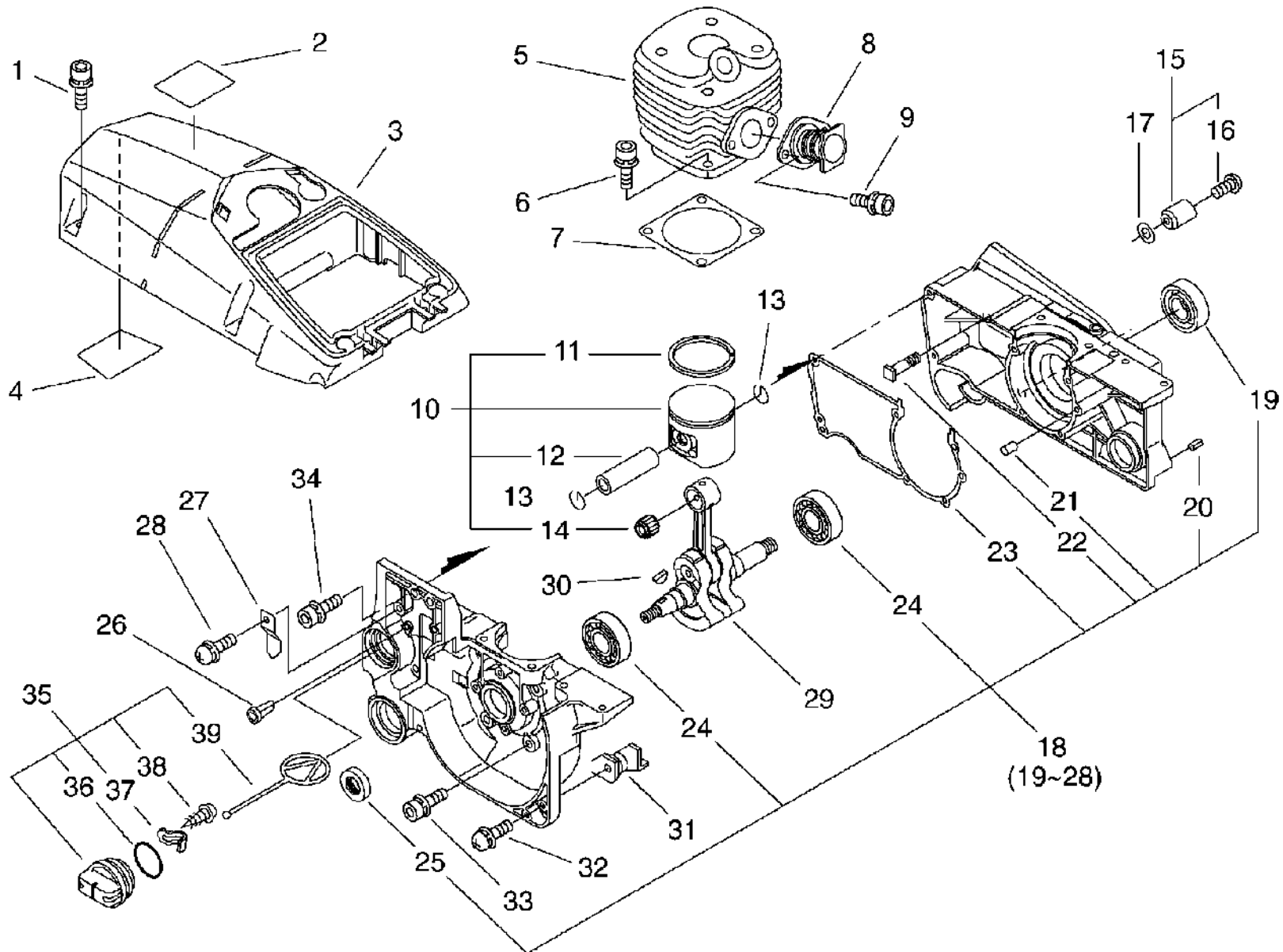
P a r t s L i s t

Date:01.12.2009 Page: 1

Group:Chain Saws Model:CS-6800 Section:Cylinder, Crankcase, Piston

Key	Lv	Part Number	Q'ty	Description	Remarks	Note
1		900162-05020	5	BOLT, H.S. 5*20		
2		890345-39230	1	LABEL, CAUTION		
3		A160-000460	1	COVER, CYLINDER		
4		V341-000010	1	WASHER, SQUARE		
5		A130-000172	1	CYLINDER		
6		900162-05025	4	BOLT, H.S. 5*25		
7		101010-32431	1	GASKET, CYL. BASE		
8		A202-000010	1	BELLOWS, INTAKE		
9		900162-05014	2	BOLT, H.S. 5*14		
10		P021-010320	1	PISTON KIT		
11	+	A101-000150	1	RING, PISTON		
12	+	V610-000000	1	PIN, ENG 12		
13	+	V580-000000	2	RING, END		
14	+	100012-32430	1	BEARING, NEEDLE		
15		433000-19831	1	CATCHER KIT, CHAIN		
16	+	900220-05018	1	SCREW 5*18		
17		900600-00005	1	WASHER 5		
18		100204-32435	1	CRANKCASE KIT		
19	+	100212-32430	1	OILSEAL (L)		
20	+	900345-50010	1	PIN, SPRING 5*10SUS		
21	+	100215-02830	2	PIN, DOWEL		
22	+	433011-19830	2	STUD, GUIDE BAR		
23	+	100242-32430	1	GASKET, CRANKCASE		
24	+	900810-36202	2	BEARING, BALL 6202		
25	+	100212-19830	1	OILSEAL		
26	+	436114-13930	1	VALVE, CHECK		
27	+	V150-000570	1	PLATE, EYE		
28	+	900242-04008	1	SCREW		

No.1



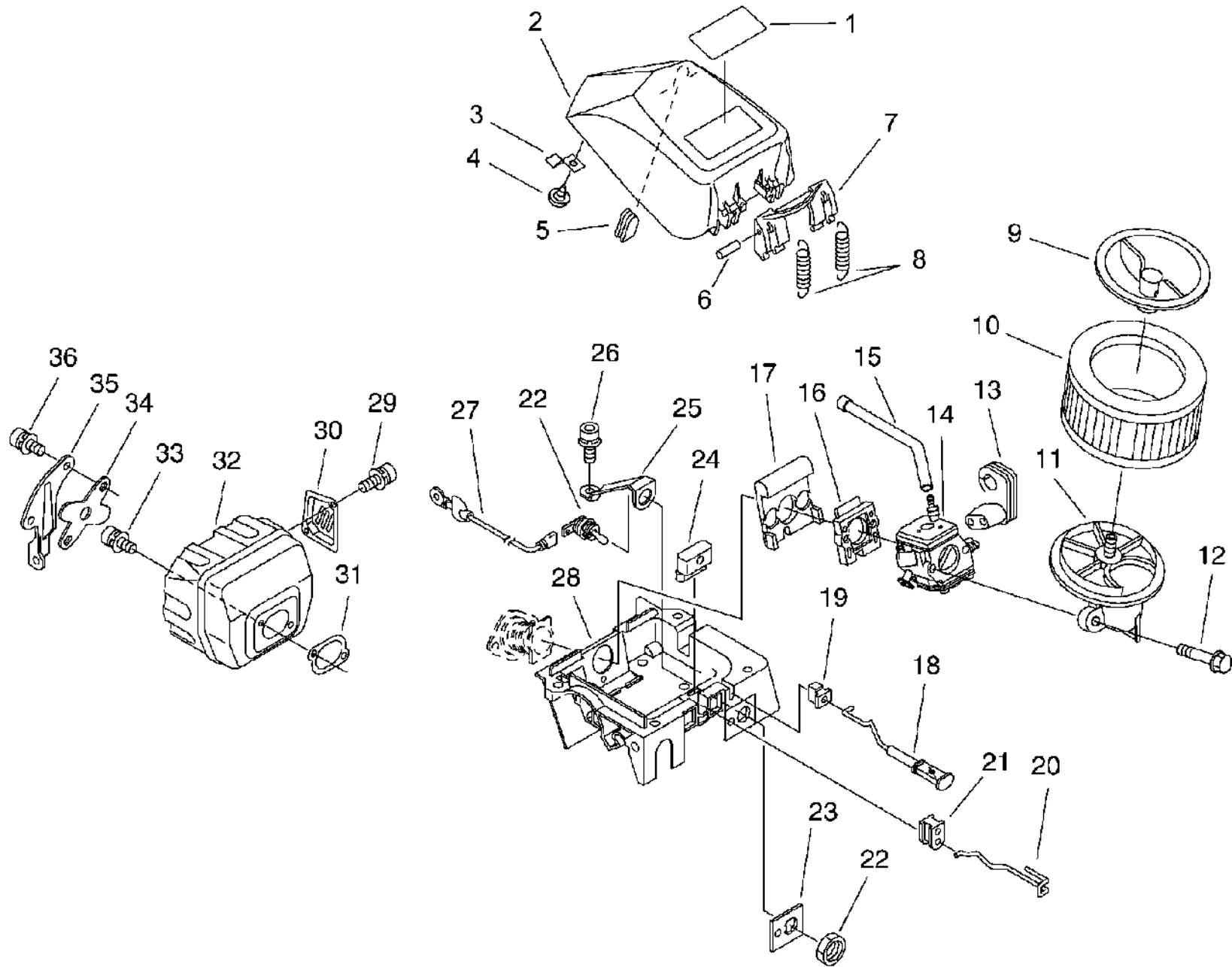
P a r t s L i s t

Date:01.12.2009 Page: 1

Group:Chain Saws Model:CS-6800 Section:Air Cleaner, Muffler

Key	Lv	Part Number	Q'ty	Description	Remarks	Note
1		X503-007220	1	LABEL, MODEL		
2		A232-000350	1	LID, CLEANER		
3		V453-000040	2	SPRING, FLAT		
4		900253-04008	2	SCREW 4*8	Sus. by 900253-04010	
4		900253-04010	2	SCREW 4*10		
5		130338-32430	1	PLUG, COVER		
6		900330-30120	4	PIN		
7		A235-000170	1	KNOB, CLEANER LID		
8		V451-000190	2	SPRING, TENSION		
9		A238-000030	1	HOLDER, ELEMENT		
10		A226-000070	1	ELEMENT, AIR FILTER		
11		A204-000020	1	ELBOW, CARBURETOR		
12		91107-05050	2	BOLT HSH FLANGE		
13		V131-000000	1	GROMMET, NEEDLE		
14		A021-000250	1	CARBURETOR, DIAPHRAGM		
15		130110-19830	1	PIPE, IMPULSE		
16		P021-002800	1	INSULATOR, INTAKE		
17		V420-000320	1	CUSHION		
18		A241-000030	1	KNOB, CHOKE		
19		178810-33331	1	GROMMET, CHOKE		
20		C454-000060	1	ROD, THROTTLE		
21		178114-32630	1	HOLDER, THR. LEVER		
22		163400-32430	1	SWITCH, IGNITION		
23		890157-19830	1	LABEL, SWITCH		
24		V420-000540	1	CUSHION		
25		156635-32430	1	PLATE, GROUND		
26		900162-05020	4	BOLT, H.S. 5*20		
27		162021-32430	1	LEAD		

No.2



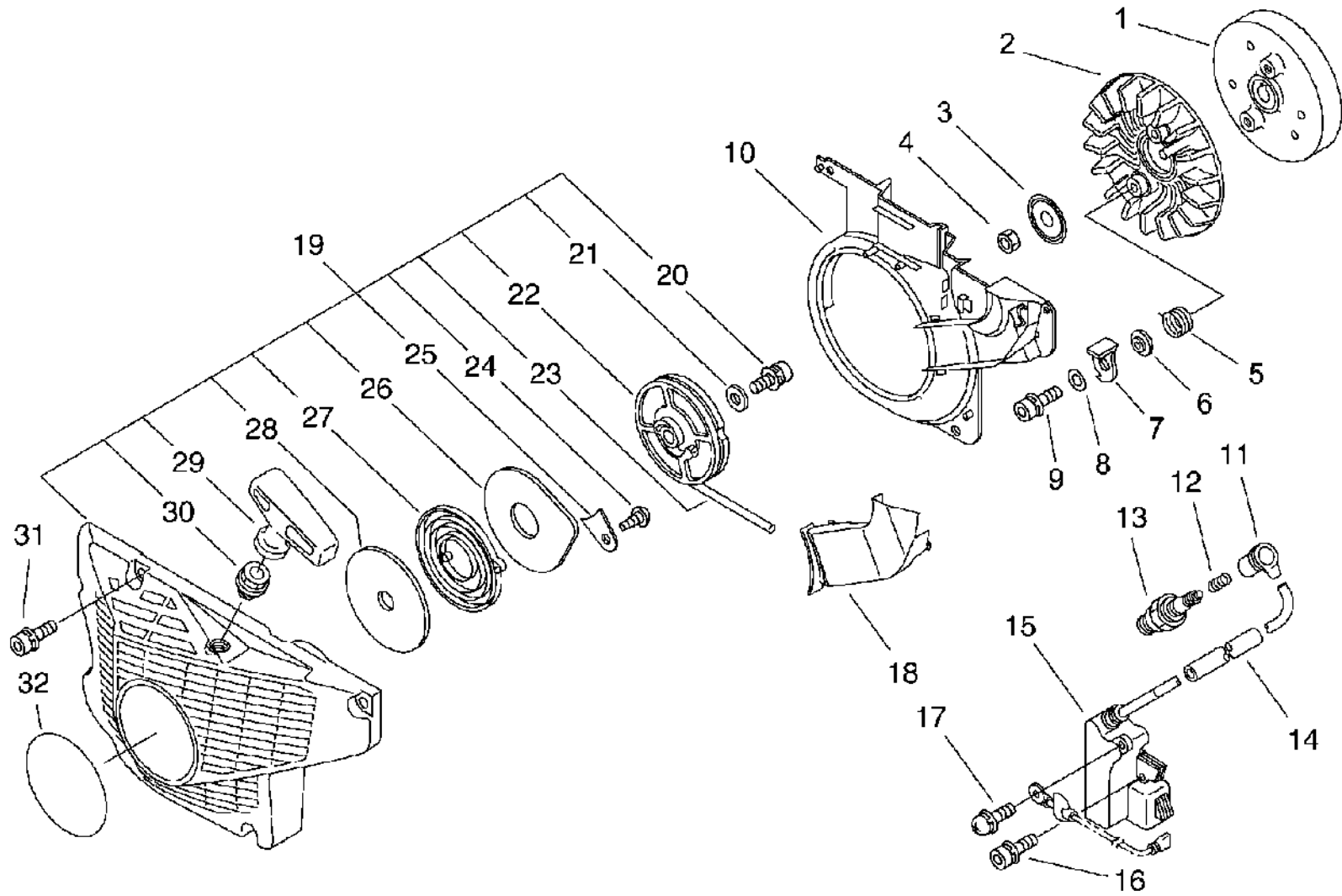
P a r t s L i s t

Date:01.12.2009 Page: 1

Group:Chain Saws Model:CS-6800 Section:Starter, Magneto

Key	Lv	Part Number	Q'ty	Description	Remarks	Note
1		156800-32631	1	ROTOR, MAGNETO		
2		101521-32330	1	FAN, COOLING		
3		100143-19830	1	WASHER		
4		900500-00008	1	NUT 8		
5		177234-19832	2	SPRING, RETURN		
6		V353-000191	2	COLLAR, 5		
7		177218-32631	2	PAWL, STARTER		
8		900603-00005	2	WASHER 5		
9		V203-000150	2	BOLT, 5		
10		A172-000130	1	COVER, FAN		
11		A427-000012	1	CAP, SPARK PLUG		
12		A426-000010	1	TERMINAL, SPARKPLUG		
13		159017-16431	1	PLUG, SPARK (CJ-6Y)		
14		156611-19830	1	TUBE		
15		156601-32631	1	COIL, IGNITION		
16		900162-04020	2	BOLT, H.S. 4*20		
17		900242-04008	1	SCREW		
18		A161-000020	1	DUCT, AIR		
19		P021-002901	1	STARTER ASY		
20	+	900162-05014	1	BOLT, H.S. 5*14		
21	+	900603-00005	1	WASHER 5		
22	+	177215-32330	1	DRUM, STARTER		
23	+	177226-07060	1	ROPE, STARTER		
24	+	900253-04008	1	SCREW 4*8		
25	+	433144-15130	1	PLATE, EYE		
26	+	177221-07060	1	PLATE, STARTER		
27	+	177220-02834	1	SPRING, REWIND		
28	+	177221-02830	1	PLATE, STARTER		

No.3



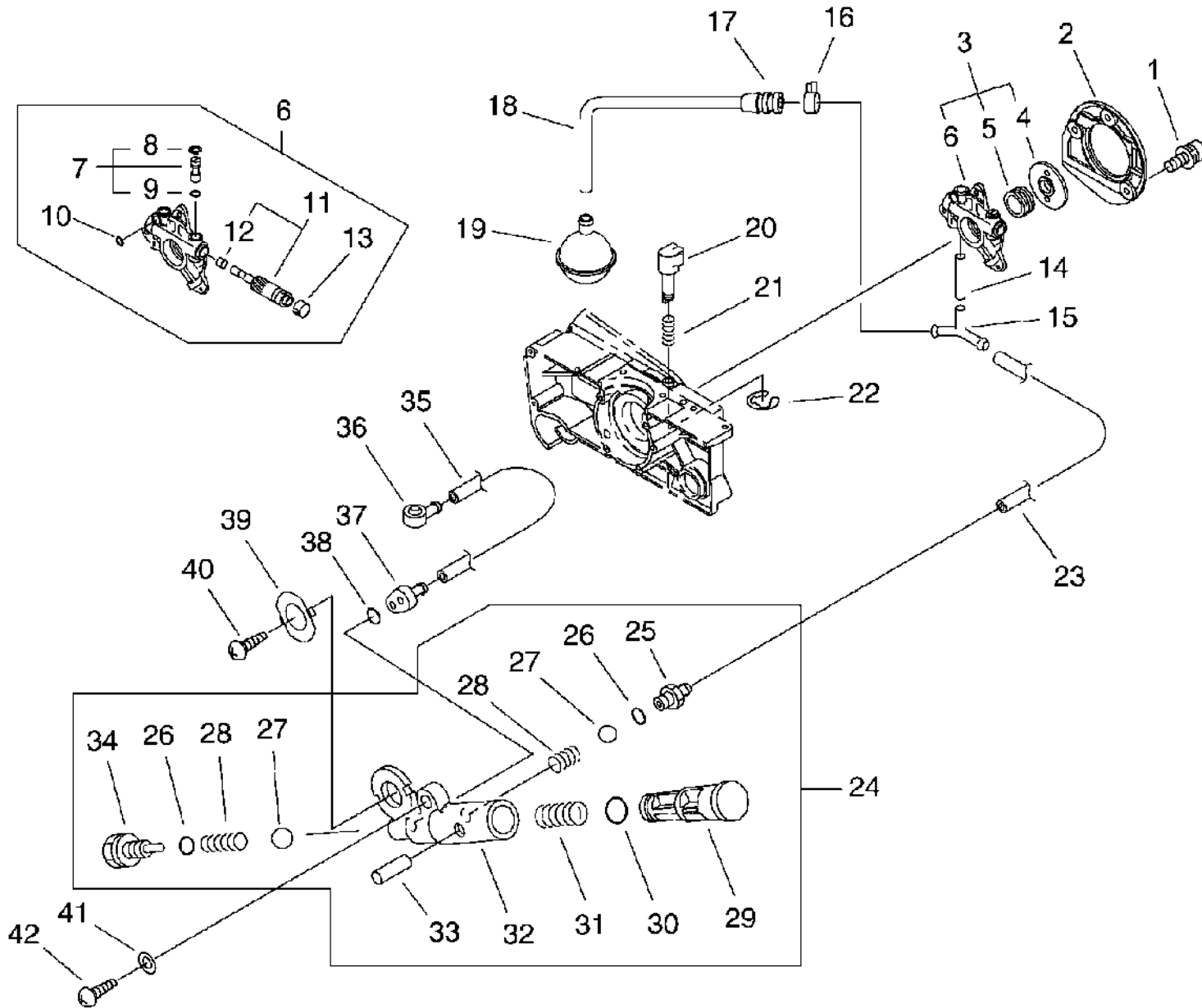
Parts List

Date:01.12.2009 Page: 1

Group:Chain Saws Model:CS-6800 Section:Auto-Oiler

Key	Lv	Part Number	Q'ty	Description	Remarks	Note
1		900162-04012	3	BOLT, H.S. 4*12		
2		437605-32430	1	COVER, OIL PUMP		
3		437000-37530	1	AUTO-OILER ASSY		
4	+	437066-30130	1	WASHER, CIRCULAR 12		
5	+	437063-19930	1	WORM (P)		
6	+	437002-37530	1	AUTO-OILER ASSY		
7	++	437009-35430	1	PIN, CONTROL		
8	+++	437065-19830	1	CLIP		
9	+++	437030-19830	1	O-RING		
10	++	900720-00003	1	O-RING 3		
11	++	437006-32330	1	PLUNGER KIT		
12	+++	437020-32430	1	V-RING		
13	++	437062-19830	1	CAP, PLUNGER		
14		437211-32430	1	PIPE		
15		437212-32430	1	CONNECTOR, OIL PIPE		
16		132013-26630	1	CLIP		
17		132115-12330	1	GROMMET		
18		437210-38330	1	PIPE, OIL		
19		436205-14730	1	STRAINER, OIL		
20		437039-37630	1	KNOB		
21		437015-19830	1	SPRING		
22		900700-00003	1	E-RING 3		
23		437210-15130	1	PIPE, OIL		
24		437100-38832	1	OILER ASY, MANUAL		
25	+	437118-19830	1	NIPPLE		
26	+	437122-03430	2	O-RING		
27	+	437012-00330	2	VALVE, BALL		
28	+	V450-000290	2	SPRING, COMPRESSION		

No.4

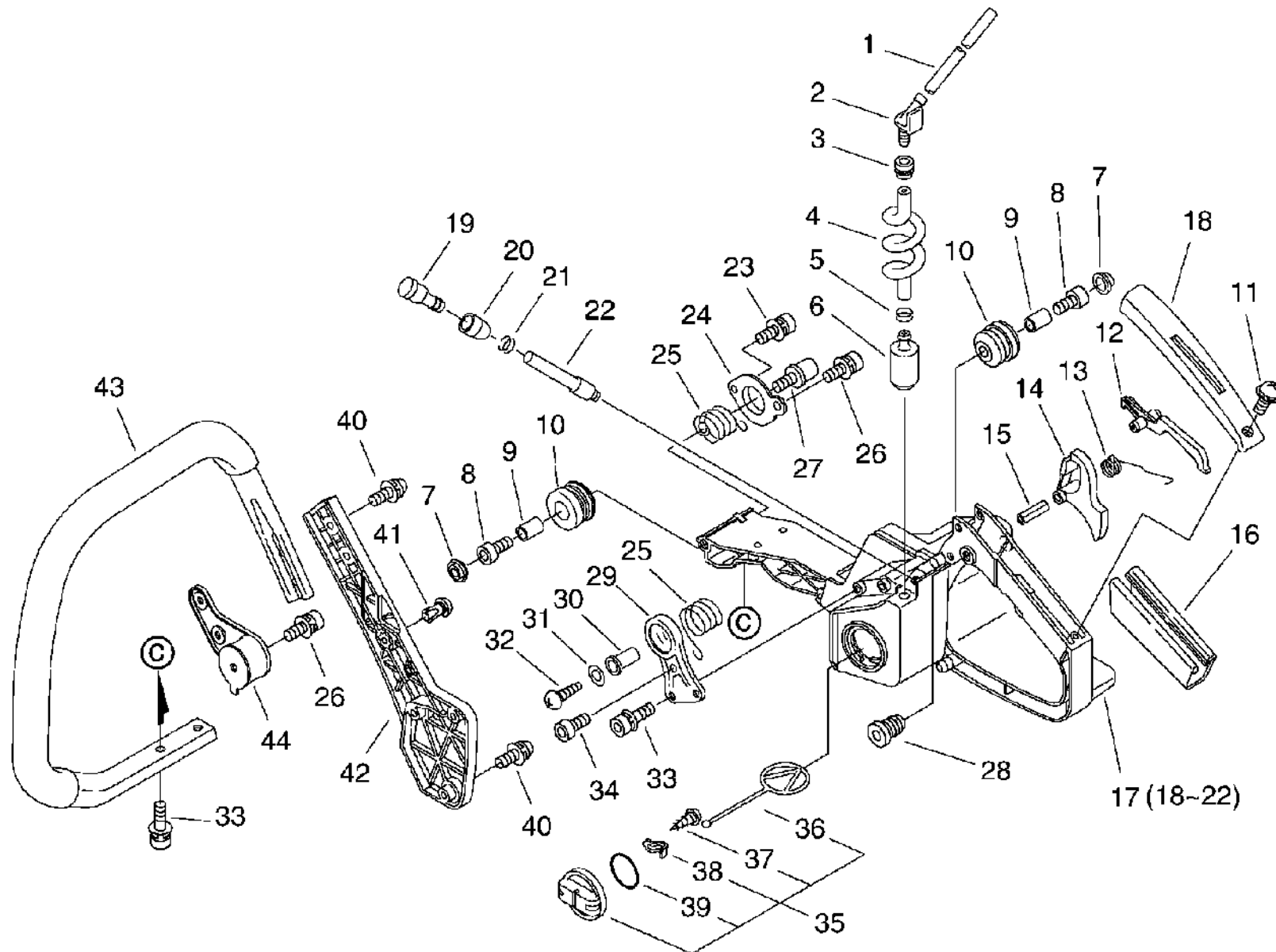


P a r t s L i s t

Group:Chain Saws Model:CS-6800 Section:Handle

Key	Lv	Part Number	Q'ty	Description	Remarks	Note
1		132010-56030	1	PIPE 3*6*110		
2		132011-19830	1	CONNECTOR, FUEL PIPE		
3		132115-01461	1	GROMMET, FUEL		
4		132010-30830	1	PIPE		
5		132013-26630	1	CLIP		
6		131205-19830	1	STRAINER, FUEL		
7		100918-19830	2	CAP, CUSHION		
8		900105-05025	2	BOLT, H.S. 5*25		
9		V353-000110	2	COLLAR, 5		
10		V420-000530	2	CUSHION		
11		900238-04014	1	SCREW 4*14		
12		178090-37930	1	LOCKOUT, T. CONTROL		
13		178043-19830	1	SPRING, THR. RETURN		
14		C450-000040	1	TRIGGER, THROTTLE		
15		900342-50025	1	PIN, SPRING 5*25		
16		351111-19830	1	GRIP, HANDLE		
17		351103-32433	1	HANDLE, REAR		
18	+	351155-35430	1	COVER, HANDLE (BL)		
19	+	131300-56430	1	VALVE, CHECK		
20	+	131328-40630	1	COVER, VENT		
21	+	130111-00530	1	CLIP		
22	+	131312-32430	1	PIPE, VENT		
23		900162-04008	1	BOLT, H.S. 4*8		
24		V150-000750	1	PLATE, EYE		
25		V450-000150	2	SPRING, COMPRESSION		
26		900162-05014	2	BOLT, H.S. 5*14		
27		V203-000050	1	BOLT, 5		
28		V162-000040	1	PLUG		

No.5



P a r t s L i s t

Date:01.12.2009 Page: 1

Group:Chain Saws Model:CS-6800 Section:Clutch, Sprocket, Tools

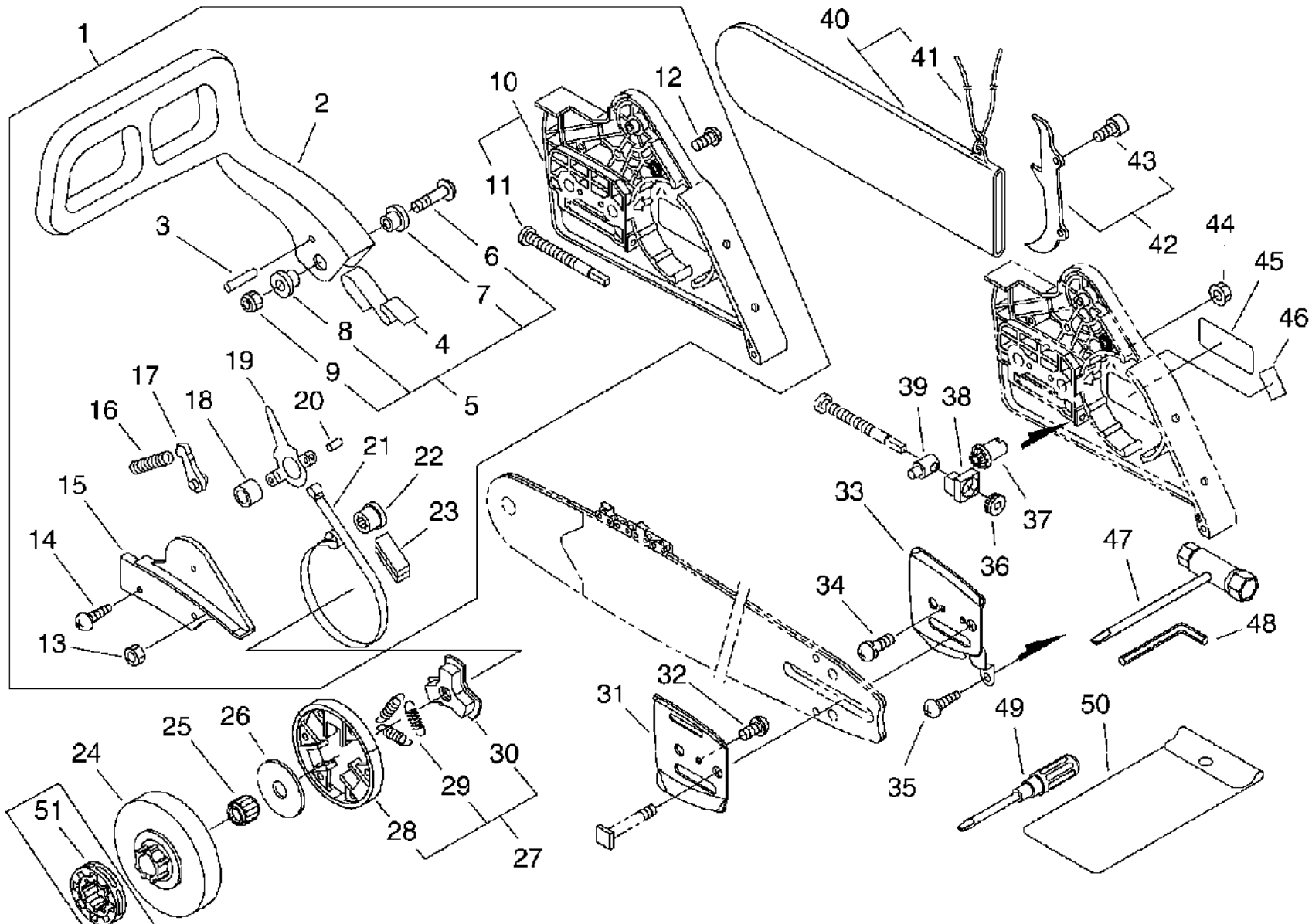
Key	Lv	Part Number	Q'ty	Description	Remarks	Note
1		433200-38138	1	BRAKE ASY, CHAIN		
2	+	433105-38131	1	LEVER, BRAKE		
3	+	900330-35260	1	PIN 3.5*26		
4	+	433114-38131	1	SPRING		
5	+	433113-37539	1	SCREW KIT		
6	++	900209-05035	1	SCREW		
7	++	433167-39730	1	COLLAR 5		
8	++	433167-39130	1	SPACER		
9	++	900562-50005	1	LOCKNUT 5		
10	+	P021-002284	1	SPROCKET GUARD		
11	++	V203-000110	1	BOLT, 5		
12	+	900220-03018	1	SCREW (+-SR 3*18)		
13	+	900500-00003	1	NUT 3		
14	+	900252-04012	2	SCREW 4*12		
15	+	433310-38130	1	COVER, BRAKE		
16	+	433122-38130	1	SPRING, BRAKE		
17	+	433209-35430	1	STOPPER, BRAKE		
18	+	433116-35430	1	SPACER 8		
19	+	433208-35431	1	LEVER, BRAKE		
20	+	900330-40088	1	ROLLER 4*8.8		
21	+	433123-38131	1	BAND, BRAKE		
22	+	433142-35430	1	ADJUSTER, BRAKE		
23	+	433312-32630	1	COVER, SEAL		
24		175005-32630	1	DRUM, CLUTCH	Sr/Nr 20001771 and before	
24		175105-32430	1	DRUM, CLUTCH	Sr/Nr 20001772 and after	
25		175012-19830	1	BEARING, NEEDLE	Sr/Nr 20001771 and before	
25		175012-32430	1	BEARING, NEEDLE	Sr/Nr 20001772 and after	
26		A551-000051	1	PLATE, CLUTCH		

Parts List

Group:Chain Saws Model:CS-6800 Section:Clutch, Sprocket, Tools

Key	Lv	Part Number	Q'ty	Description	Remarks	Note
27		A056-000050	1	CLUTCH		
28	+	P021-007790	1	SHOE, CLUTCH		
29	+	V451-000430	3	SPRING, TENSION		
30	+	A552-000040	1	HUB, CLUTCH		
31		433013-30830	1	PLATE, GUIDE (INNER)		
32		900241-04008	1	SCREW 4*8		
33		C305-000040	1	PLATE, SPROCKET GUARD		
34		900241-03006	2	SCREW 3*6		
35		900253-04010	1	SCREW 4*10		
36		V651-000011	1	GEAR, BEVEL		
37		V651-000001	1	GEAR, BEVEL		
38		V355-000270	1	COLLAR, 8		
39		C309-000030	1	TENSIONER, CHAIN		
40		898548-14531	1	SCABBARD, CHAIN		
41	+	898568-14530	1	ROPE		
42		P021-002880	1	BUMPER, SPIKED		
43	+	900105-05012	2	BOLT, H.S. 5*12		
44		433019-12330	2	NUT, FLANGE 8		
45		890118-15130	1	LABEL, ECHO		
46		890155-30130	1	LABEL, CAUTION		
47		895410-02830	1	WRENCH, W/S. DRIVER		
48		895610-00130	1	L-WRENCH (4MM)		
49		895812-03930	1	DRIVER, SCREW 50		
50		898510-39130	1	BAG, TOOL		
51		175033-14731	1	SPROCKET, RIM 682108	Sr/Nr 20001772 and after	

No.6



Sr/Nr 20001772
and after

P a r t s L i s t

Date:01.12.2009 Page: 1

Group:Chain Saws Model:CS-6800 Section:Carburetor

Key	Lv	Part Number	Q'ty	Description	Remarks	Note
		A021-000250	1	CARBURETOR, DIAPHRAGM		
1	+	123110-16130	1	SCREW, PUMP COVER		
2	+	123124-19830	1	COVER, FUEL PUMP		
3	+	123125-12330	1	GASKET, FUEL PUMP		
4	+	123112-12330	1	DIAPHRAGM, FUEL PUMP		
5	+	123126-10631	1	SCREEN, INLET		
6	+	123114-38830	3	SCREW		
7	+	123132-32430	1	VALVE, CHOKE		
8	+	P003-000590	1	LEVER, CHOKE		
9	+	123127-15030	1	RING		
10	+	123156-12330	1	STOP, THROTTLE		
11	+	123178-15030	1	PLUG, FRICTION		
12	+	123134-19730	1	SCREW, IDLE ADJUST		
13	+	P003-000540	1	SPRING, IDLE ADJUST		
14	+	P003-000580	1	NEEDLE, HIGH SPEED		
15	+	123121-16130	2	SPRING, NEEDLE		
16	+	P003-000570	1	NEEDLE, IDLE		
17	+	123168-10631	1	SCREEN		
18	+	123169-10630	1	RING, RETAINING		
19	+	123146-17330	1	PLUG, CUP		
20	+	123146-10631	1	PLUG, WELCH		
21	+	123122-32630	1	SPRING, METER. LEVER		
22	+	123123-18330	1	LEVER, METERING		
23	+	123138-03930	1	PIN, METERING LEVER		
24	+	123139-03930	1	SCREW, M. LEVER PIN		
25	+	123137-19830	1	VALVE, INLET NEEDLE		
26	+	P003-000600	1	SHAFT, CHOKE		
27	+	123149-26030	1	WASHER		

No.7

