

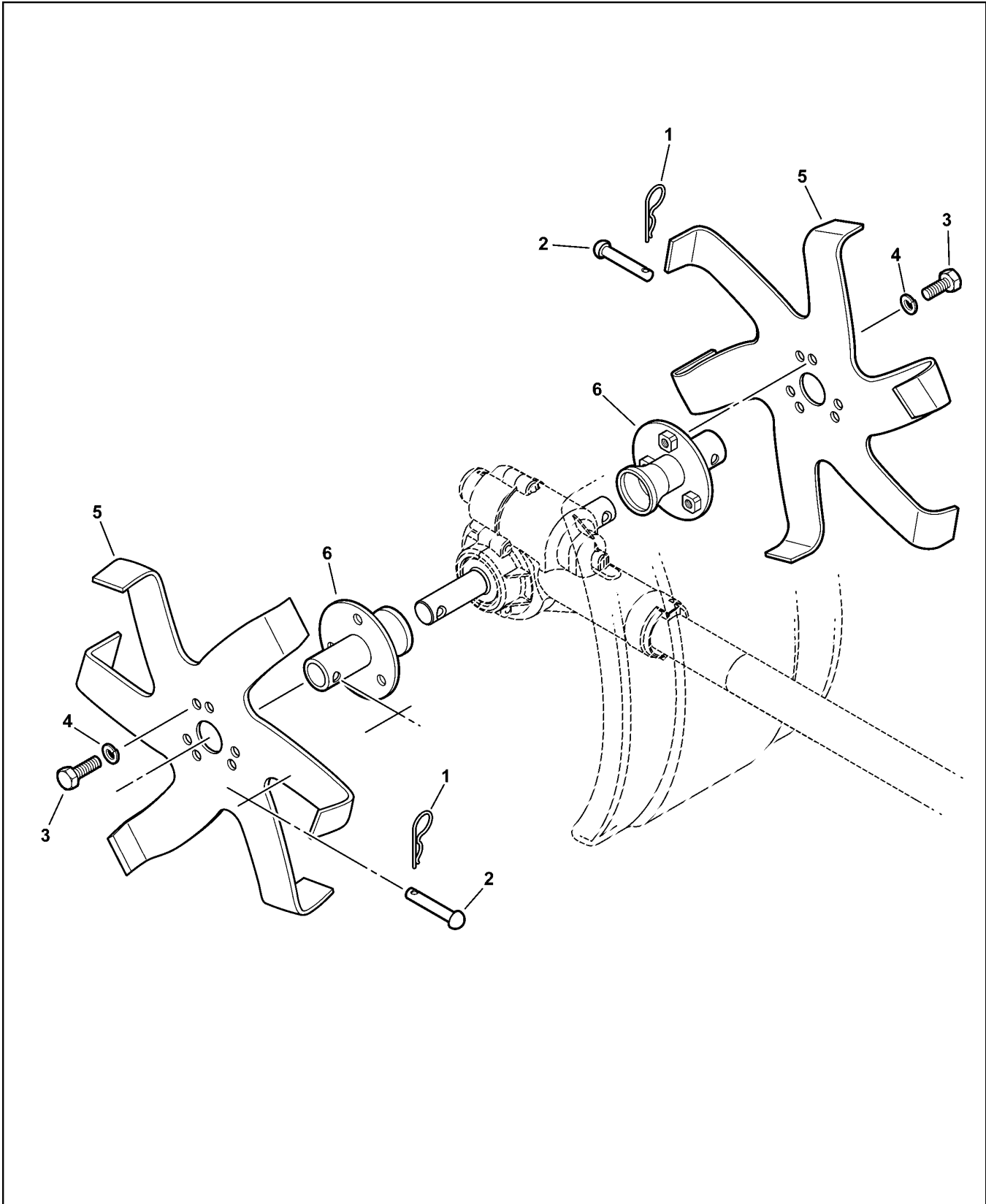


PARTS CATALOGUE

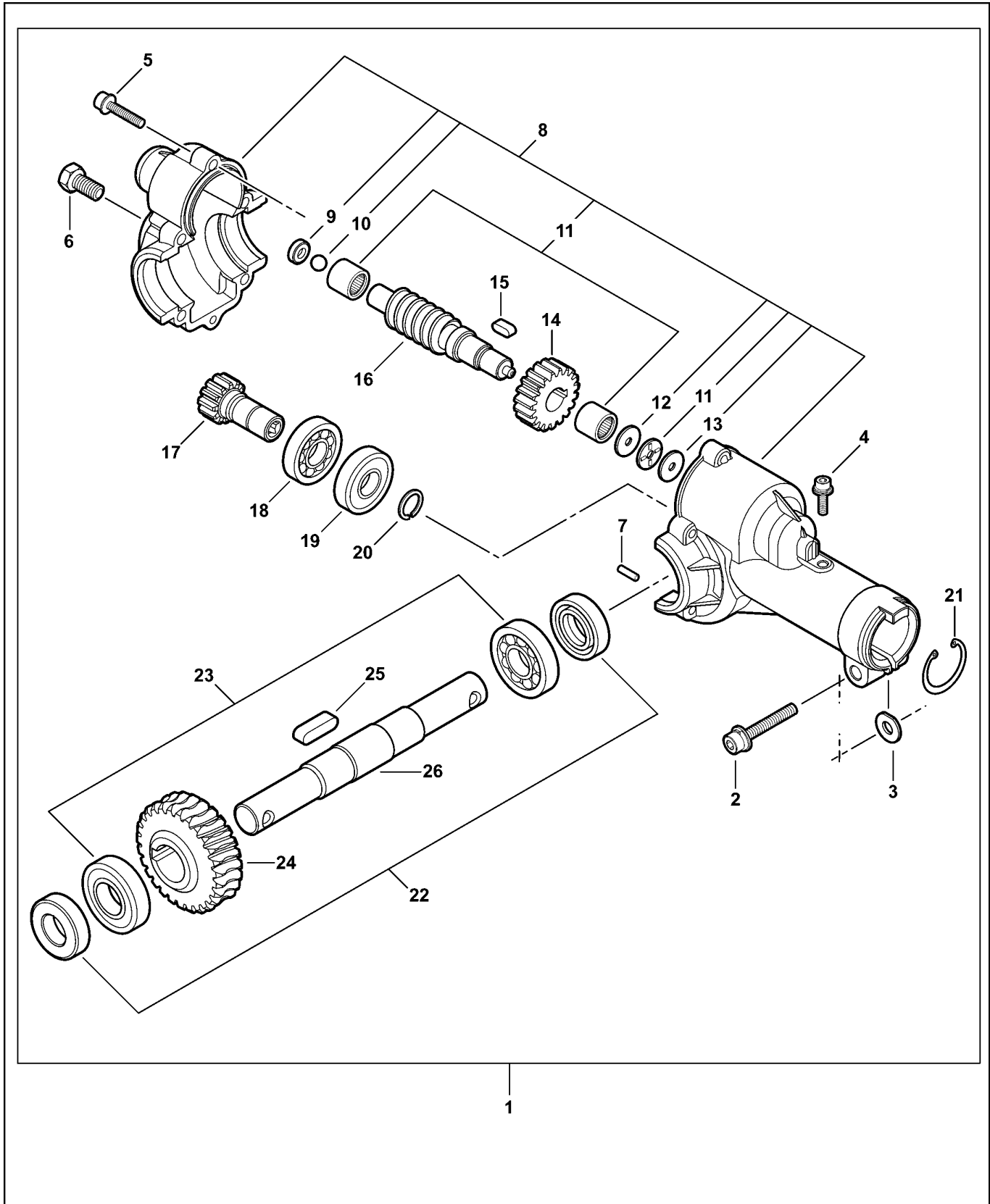
PAS ATTACHMENT

999442-00813

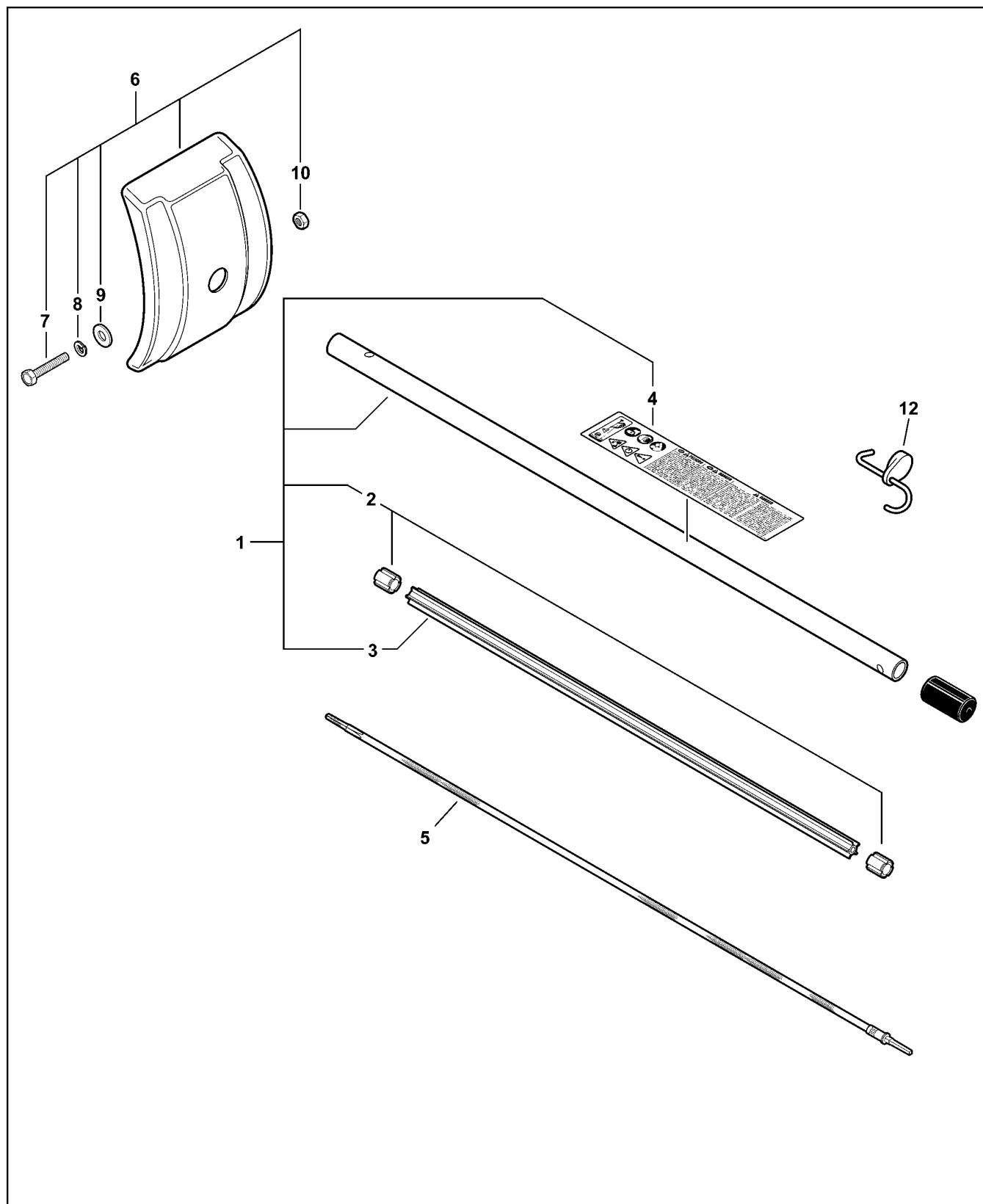
CE



KEY	LV	PART NUMBER	Q'TY	DESCRIPTION	REMARKS
1		605612-11050	2	CLIP, PIN	
2		605611-11050	2	PIN	
3		900100-06010	6	BOLT 6*10	
4		900605-00006	6	WASHER, SPRING 6	
5		690010-11050	2	BLADE (BL)	
6		605610-11050	2	HUB, BLADE (BL)	



KEY	LV	PART NUMBER	Q'TY	DESCRIPTION	REMARKS
1		C051-000290	1	CASE,GEAR	
2	+	900162-06030	1	BOLT, H.S. 6*30	
3	+	V340-000220	1	WASHER	
4	+	900162-05012	1	BOLT, H.S. 5*12	
5	+	900162-05020	5	BOLT, H.S. 5*20	
6	+	900100-08010	1	BOLT 8*10	
7	+	V622-000030	1	PIN,STRAIGHT 4	
8	+	P021-016400	1	GEAR HOUSING ASY	
9	++	V376-001040	1	SPACER	
10	++	V585-000030	1	BALL	
11	++	V555-000060	2	BEARING,NEEDLE 10	
12	++	V340-000230	2	WASHER	
13	++	V590-000010	1	BEARING,THRUST	
14	+	V650-000380	1	GEAR,SPUR	
15	+	V381-000010	1	KEY,WOODRUFF	
16	+	V652-000060	1	GEAR,WORM	
17	+	V650-000370	1	GEAR,SPUR	
18	+	900855-06901	1	BEARING, BALL 6901	
19	+	900857-06901	1	BEARING, BALL 6901	
20	+	900706-00012	1	CIRCLIP 12	
21	+	610335-21460	1	RING, RETAINING	
22	+	605416-11050	2	OILSEAL	
23	+	94003-06003	2	BEARING, BALL	
24	+	V653-000000	1	GEAR,WORM WHEEL	
25	+	V381-000000	1	KEY,WOODRUFF	
26	+	C534-000480	1	SHAFT, GEAR	



KEY	LV	PART NUMBER	Q'TY	DESCRIPTION	REMARKS
1		C050-001310	1	PIPE, MAIN	
2	+	610246-44730	2	STOPPER	
3	+	C507-000240	1	LINER, FLEXIBLE	
4	+	890160-25560	1	LABEL, CAUTION	
5		C506-000002	1	SHAFT, FLEXIBLE	
6		694000-12050	1	COVER ASY, ROTOR	
7	+	900100-06020	1	BOLT 6*20	
8	+	900605-00006	1	WASHER, SPRING 6	
9	+	900600-00006	1	WASHER 6	
10	+	900500-00006	1	NUT 6	
12		C649-000120	1	HOOK	

Index

Parts Number	Key No.	Parts Number	Key No.	Parts Number	Key No.
C050-001310	3 - 1				
C051-000290	2 - 1				
C506-000002	3 - 5				
C507-000240	3 - 3				
C534-000480	2 - 26				
C649-000120	3 - 12				
P021-016400	2 - 8				
V340-000220	2 - 3				
V340-000230	2 - 12				
V376-001040	2 - 9				
V381-000000	2 - 25				
V381-000010	2 - 15				
V555-000060	2 - 11				
V585-000030	2 - 10				
V590-000010	2 - 13				
V622-000030	2 - 7				
V650-000370	2 - 17				
V650-000380	2 - 14				
V652-000060	2 - 16				
V653-000000	2 - 24				
605416-11050	2 - 22				
605610-11050	1 - 6				
605611-11050	1 - 2				
605612-11050	1 - 1				
610246-44730	3 - 2				
610335-21460	2 - 21				
690010-11050	1 - 5				
694000-12050	3 - 6				
890160-25560	3 - 4				
900100-06010	1 - 3				
900100-06020	3 - 7				
900100-08010	2 - 6				
900162-05012	2 - 4				
900162-05020	2 - 5				
900162-06030	2 - 2				
900500-00006	3 - 10				
900600-00006	3 - 9				
900605-00006	1 - 4				
900605-00006	3 - 8				
900706-00012	2 - 20				
900855-06901	2 - 18				
900857-06901	2 - 19				
94003-06003	2 - 23				



KIORITZ CORPORATION

7-2 SUEHIROCHO 1-CHOME, OHME, TOKYO 198-8711, JAPAN
PHONE: 81-428-32-6118. FAX: 81-428-32-6145.

ECHO[®]

200905 36-043