



# **PARTS CATALOGUE**

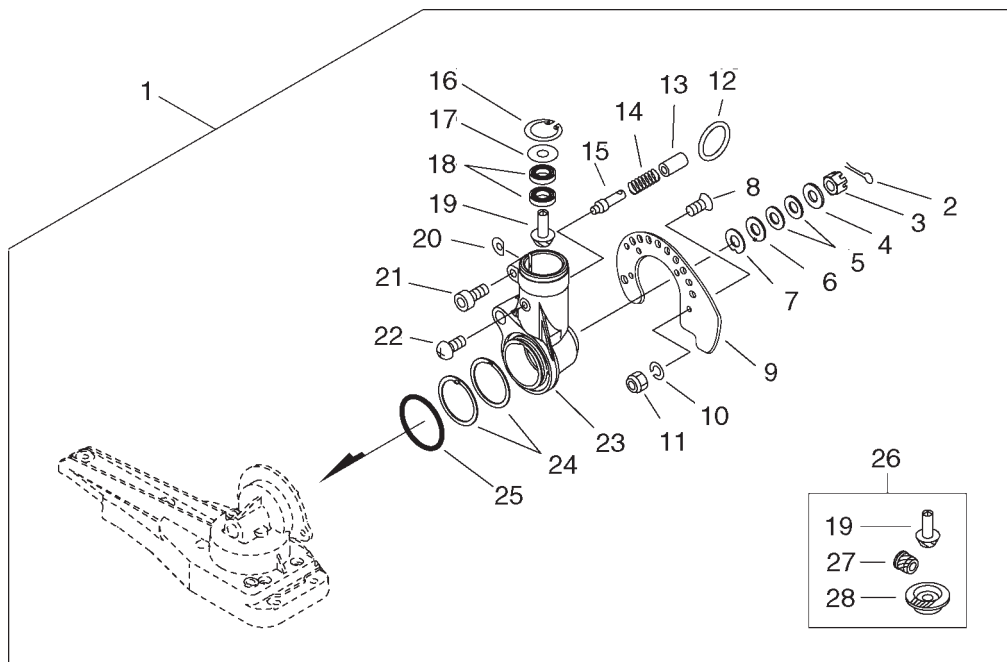
**HCAA-2400A**

**HCAA-2401A**

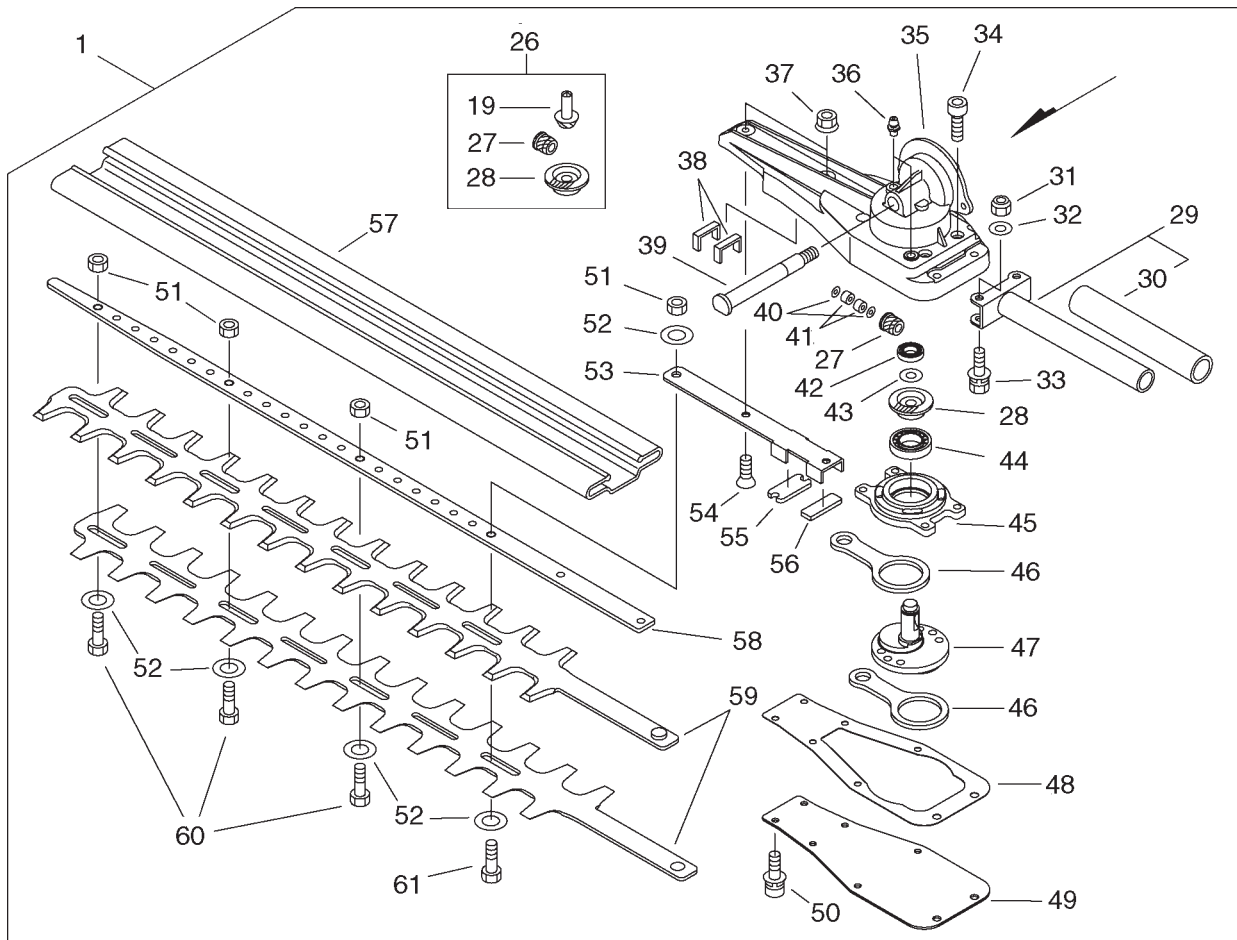
**HCAA-2403A**

**HCAA-2404A**

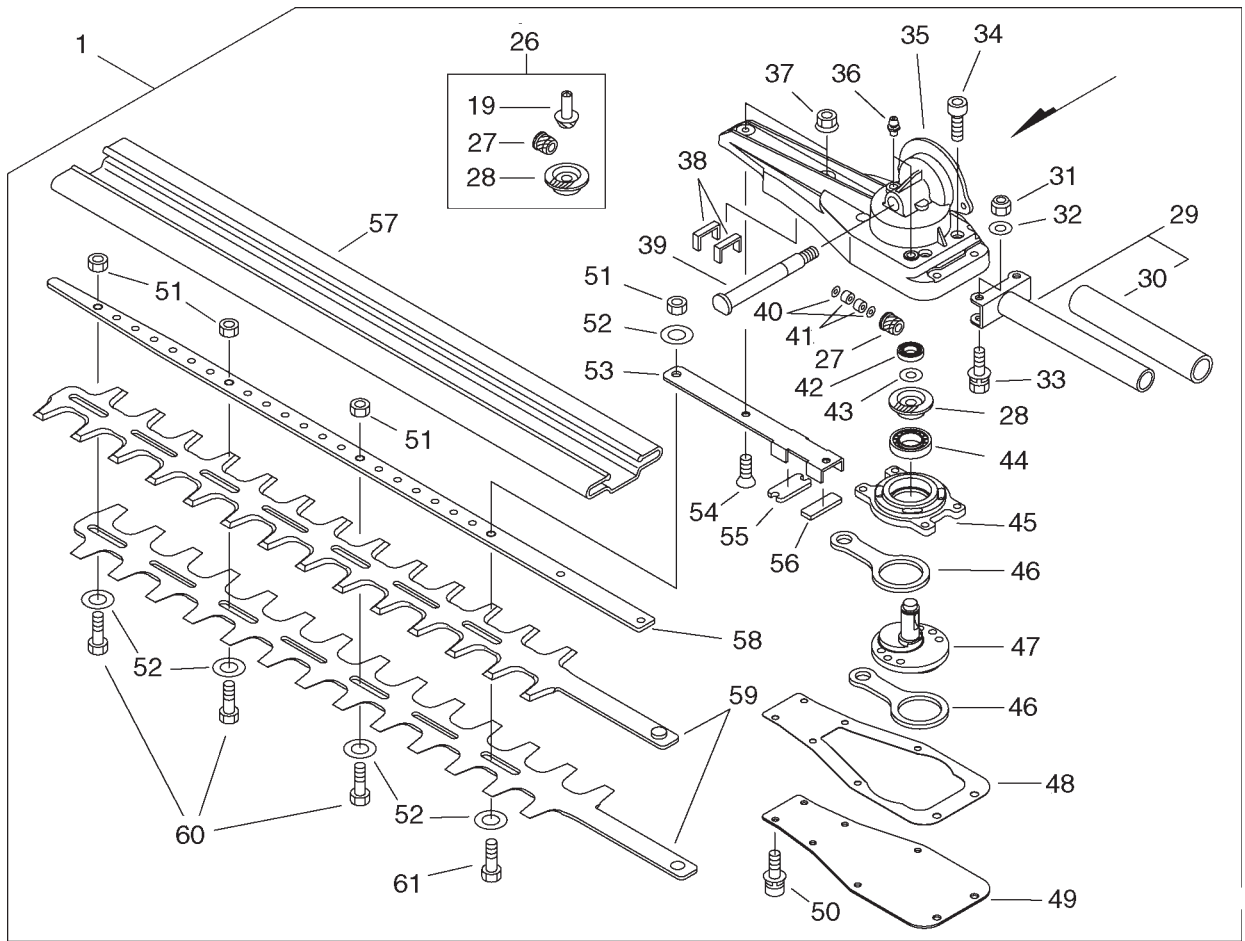
**CE**



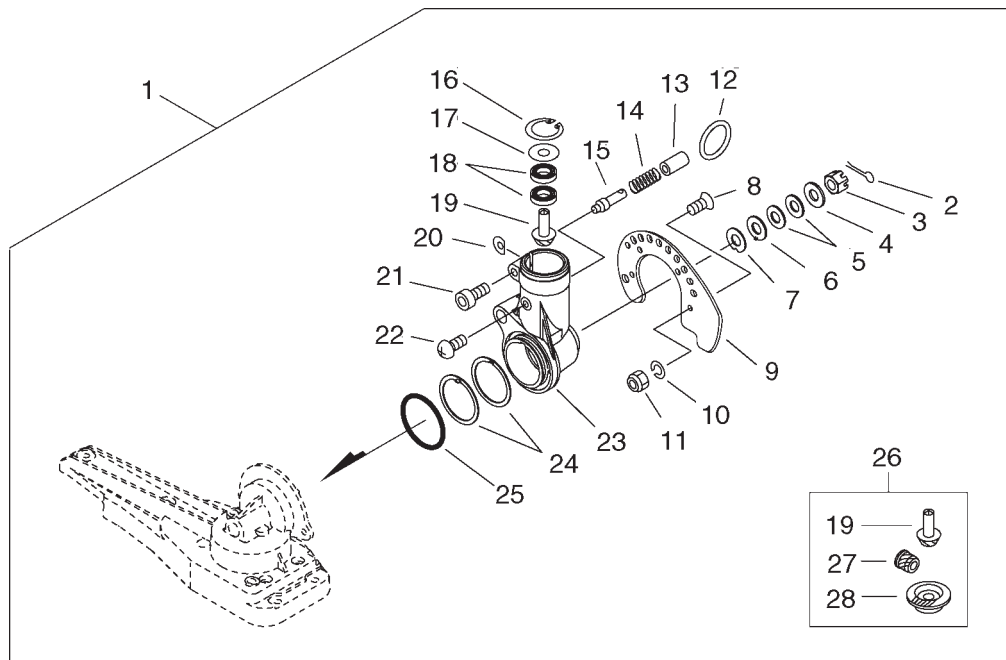
KEY	LV	PART NUMBER	Q'TY	DESCRIPTION	REMARKS
1		C051-000270	1	CASE,GEAR	
2	+	93000-16180	1	PIN SPLIT	
3	+	900529-00008	1	NUT, SLOTT 8	
4	+	V306-000140	1	WASHER,CIRCULAR 8	
5	+	V347-000010	2	WASHER,CONICAL	
6	+	V340-000110	1	WASHER	
7	+	V110-000040	1	GASKET,GEAR CASE	
8	+	900212-04012	2	SCREW 4*12	
9	+	C465-000010	1	RESETTER, LATCH	
10	+	900605-00004	2	WASHER, SPRING 4	
11	+	900560-00004	2	LOCKNUT	
12	+	V583-000050	1	RING	
13	+	V355-000310	1	COLLAR,8	
14	+	V450-000420	1	SPRING,COMPRESSION	
15	+	V642-000020	1	PIN,LINCH	
16	+	900702-00022	1	CIRCLIP 22	
17	+	V583-000060	1	RING	
18	+	900859-06900	2	BEARING, BALL 6900	
19	+	V651-000330	1	GEAR,BEVEL	
20	+	V340-000170	1	WASHER	
21	+	900162-05025	1	BOLT, H.S. 5*25	
22	+	900242-05012	1	SCREW 5*12	
23	+	C531-000292	1	CASE,GEAR	
24	+	V340-000120	2	WASHER	
25	+	900724-00032	1	O-RING	



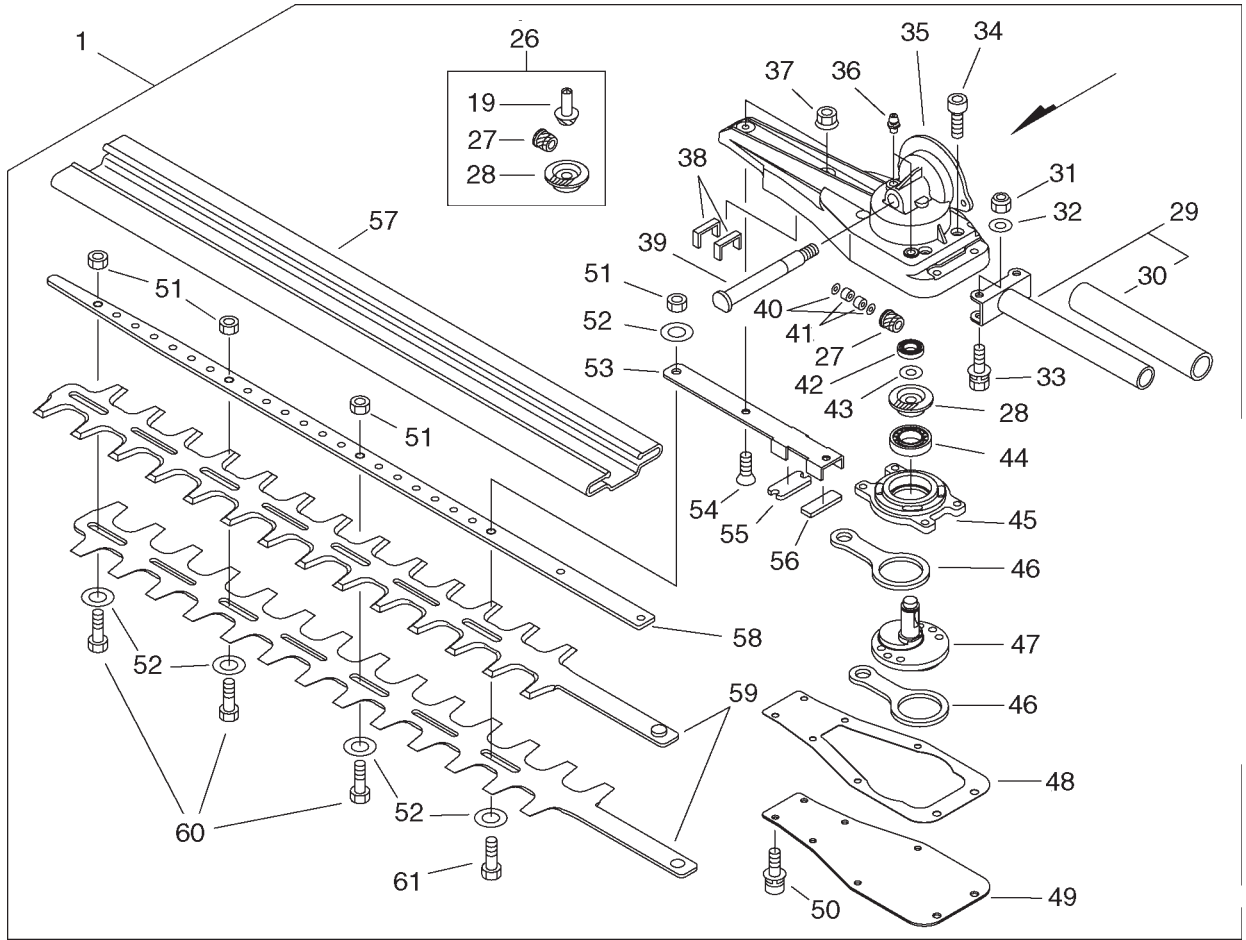
KEY	LV	PART NUMBER	Q'TY	DESCRIPTION	REMARKS
26	+	P021-016010	1	BEVEL GEAR SET	
19	++	V651-000330	1	GEAR,BEVEL	
27	++	V651-000250	1	GEAR,BEVEL	
28	++	V651-000260	1	GEAR,BEVEL	
29	+	351305-12360	1	HANDLE	
30	++	351315-12360	1	GRIP, HANDLE	
31	+	900560-00005	2	NUT, LOCK 5	
32	+	900600-00005	2	WASHER 5	
33	+	900142-05028	2	BOLT 5*28 (W/W,SW)	
34	+	900105-05008	4	BOLT, H.S. 5*8	
35	+	C531-000302	1	CASE,GEAR	
36	+	880110-10860	2	NIPPLE, GREASE	
37	+	900516-00005	2	NUT, FRANGE 5	
38	+	V541-000130	2	SEAL	
39	+	C534-000260	1	SHAFT,GEAR	
40	+	V307-000150	2	WASHER,CIRCULAR 10	
41	+	V555-000040	2	BEARING,NEEDLE 10	
42	+	900855-06900	1	BEARING, BALL 6900	
43	+	V583-000040	1	RING	
44	+	900800-06001	1	BEARING, BALL 6001	
45	+	C503-000072	1	HOLDER,BEARING	
46	+	C532-000140	2	ROD,CONNECTING	
47	+	C533-000041	1	CAM	
48	+	V110-000051	1	GASKET,GEAR CASE	



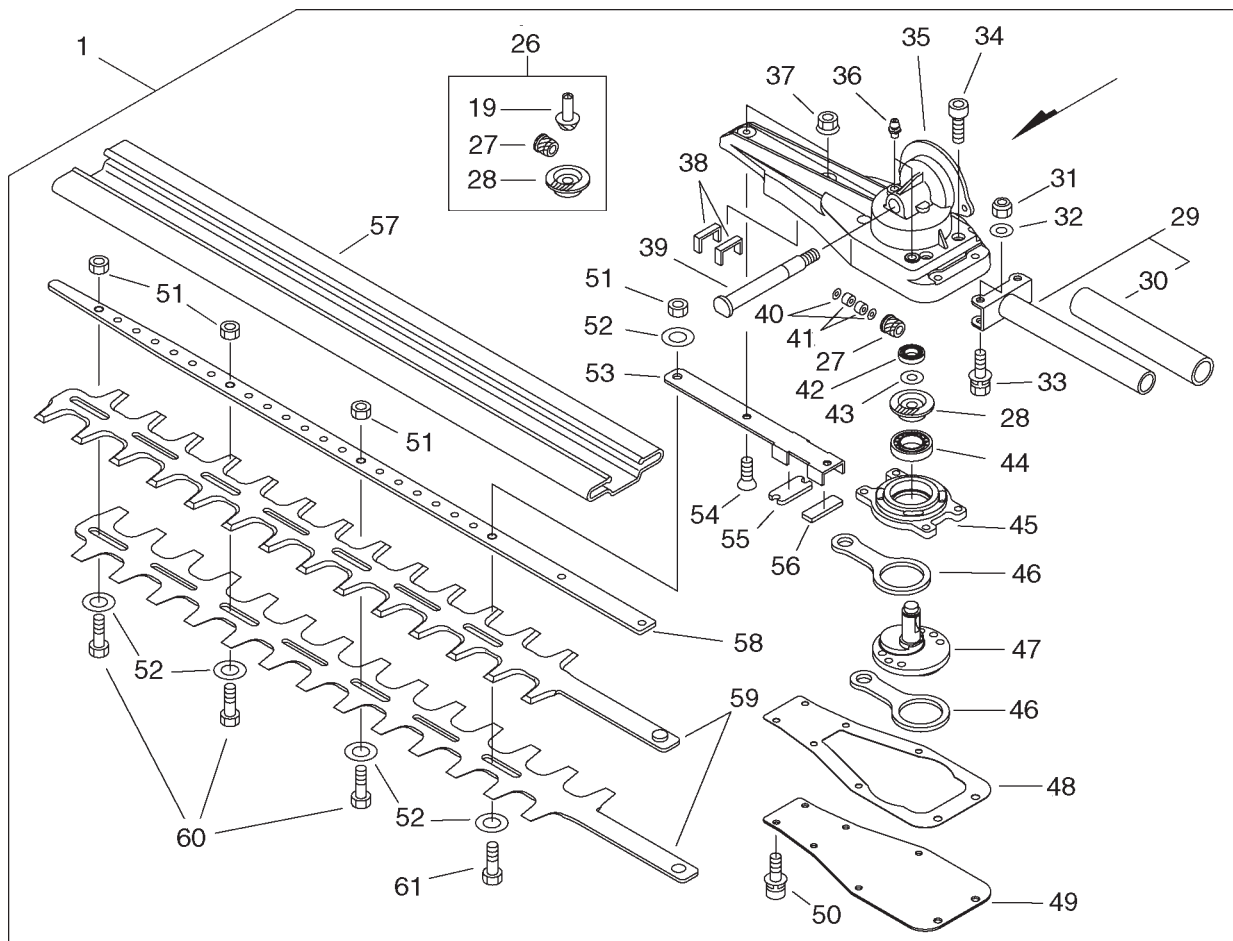
KEY	LV	PART NUMBER	Q'TY	DESCRIPTION	REMARKS
49	+	C539-000010	1	LID,GEARCASE	
50	+	900162-04014	6	BOLT, H.S. 4*14	
51	+	433022-06460	4	NUT	
52	+	699118-04560	5	WASHER	
53	+	C538-000120	1	GUIDE,CUTTER	
54	+	900212-05020	2	SCREW 5*20	
55	+	C538-000110	1	GUIDE,CUTTER	
56	+	C538-000100	1	GUIDE,CUTTER	
57	+	X495-000060	1	SCABBARD,BLADE	
58	+	X425-000220	1	SUPPORT,CUTTER	
59	+	X411-000350	2	CUTTER	
60	+	699115-04660	3	BOLT 6	
61	+	699115-07760	1	BOLT, CUTTER	



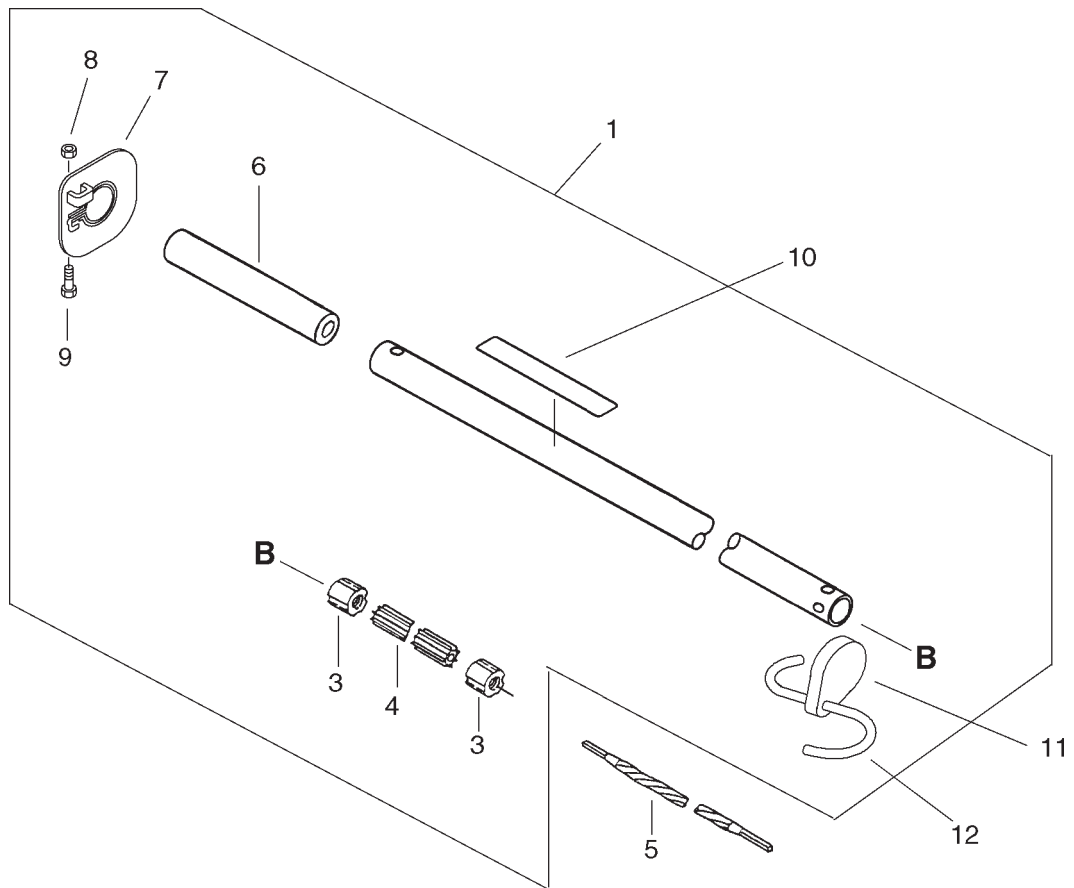
KEY	LV	PART NUMBER	Q'TY	DESCRIPTION	REMARKS
1		C051-000140	1	CASE,GEAR	
2	+	93000-16180	1	PIN SPLIT	
3	+	900529-00008	1	NUT, SLOTT 8	
4	+	V306-000140	1	WASHER,CIRCULAR 8	
5	+	V347-000010	2	WASHER,CONICAL	
6	+	V340-000110	1	WASHER	
7	+	V110-000040	1	GASKET,GEAR CASE	
8	+	900212-04012	2	SCREW 4*12	
9	+	C465-000010	1	RESETTER, LATCH	
10	+	900605-00004	2	WASHER, SPRING 4	
11	+	900560-00004	2	LOCKNUT	
12	+	V583-000050	1	RING	
13	+	V355-000310	1	COLLAR,8	
14	+	V450-000420	1	SPRING,COMPRESSION	
15	+	V642-000020	1	PIN,LINCH	
16	+	900702-00022	1	CIRCLIP 22	
17	+	V583-000060	1	RING	
18	+	900859-06900	2	BEARING, BALL 6900	
19	+	V651-000240	1	GEAR,BEVEL	
20	+	V340-000170	1	WASHER	
21	+	900162-05025	1	BOLT, H.S. 5*25	
22	+	900242-05012	1	SCREW 5*12	
23	+	C531-000292	1	CASE,GEAR	
24	+	V340-000120	2	WASHER	
25	+	900724-00032	1	O-RING	



KEY	LV	PART NUMBER	Q'TY	DESCRIPTION	REMARKS
26	+	P021-010690	1	BEVEL GEAR SET	
19	++	V651-000240	1	GEAR,BEVEL	
27	++	V651-000250	1	GEAR,BEVEL	
28	++	V651-000260	1	GEAR,BEVEL	
29	+	351305-12360	1	HANDLE	
30	++	351315-12360	1	GRIP,HANDLE	
31	+	900560-00005	2	NUT, LOCK 5	
32	+	900600-00005	2	WASHER 5	
33	+	900142-05028	2	BOLT 5*28 (W/W,SW)	
34	+	900105-05008	4	BOLT, H.S. 5*8	
35	+	C531-000302	1	CASE,GEAR	
36	+	880110-10860	2	NIPPLE, GREASE	
37	+	900516-00005	2	NUT, FRANGE 5	
38	+	V541-000130	2	SEAL	
39	+	C534-000260	1	SHAFT,GEAR	
40	+	V307-000150	2	WASHER,CIRCULAR 10	
41	+	V555-000040	2	BEARING,NEEDLE 10	
42	+	900855-06900	1	BEARING, BALL 6900	
43	+	V583-000040	1	RING	
44	+	900800-06001	1	BEARING, BALL 6001	
45	+	C503-000072	1	HOLDER,BEARING	
46	+	C532-000140	2	ROD, CONNECTING	
47	+	C533-000041	1	CAM	
48	+	V110-000051	1	GASKET,GEAR CASE	

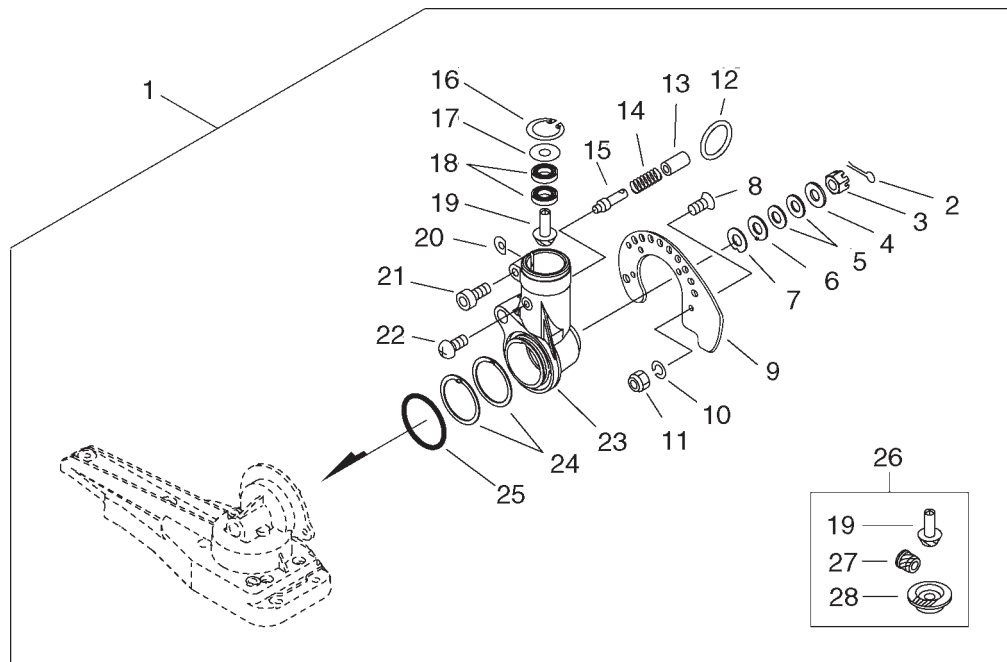


KEY	LV	PART NUMBER	Q'TY	DESCRIPTION	REMARKS
49	+	C539-000010	1	LID,GEARCASE	
50	+	900162-04014	6	BOLT, H.S. 4*14	
51	+	433022-06460	4	NUT	
52	+	699118-04560	5	WASHER	
53	+	C538-000120	1	GUIDE,CUTTER	
54	+	900212-05020	2	SCREW 5*20	
55	+	C538-000110	1	GUIDE,CUTTER	
56	+	C538-000100	1	GUIDE,CUTTER	
57	+	X495-000060	1	SCABBARD,BLADE	
58	+	X425-000220	1	SUPPORT,CUTTER	
59	+	X411-000350	2	CUTTER	
60	+	699115-04660	3	BOLT 6	
61	+	699115-07760	1	BOLT, CUTTER	

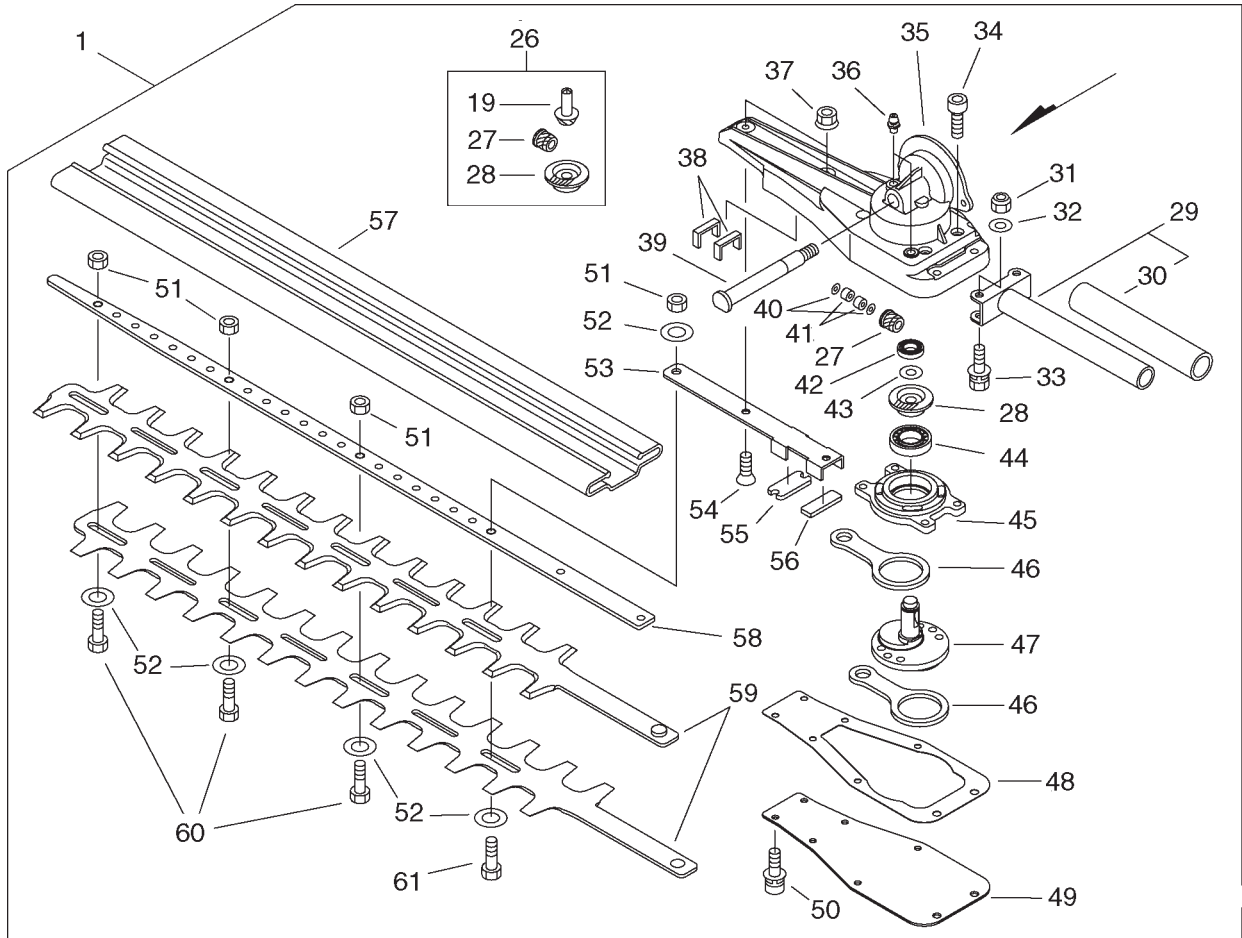


KEY	LV	PART NUMBER	Q'TY	DESCRIPTION	REMARKS
1		C050-000860	1	PIPE, MAIN	
3	+	610246-44730	2	STOPPER	
4	+	C507-000100	1	LINER, FLEXIBLE	
6	+	C403-000100	1	GRIP, HANDLE	
7	+	C440-000020	1	GUARD, HAND	
8	+	900500-00005	1	NUT 5	
9	+	900142-05020	1	BOLT 5*20 (W/W,SW)	
5		C506-000071	1	SHAFT, FLEXIBLE	
10		890617-12361	1	LABEL, CAUTION	
11		C525-000010	1	CAP, MAIN PIPE	
12		C649-000120	1	HOOK	

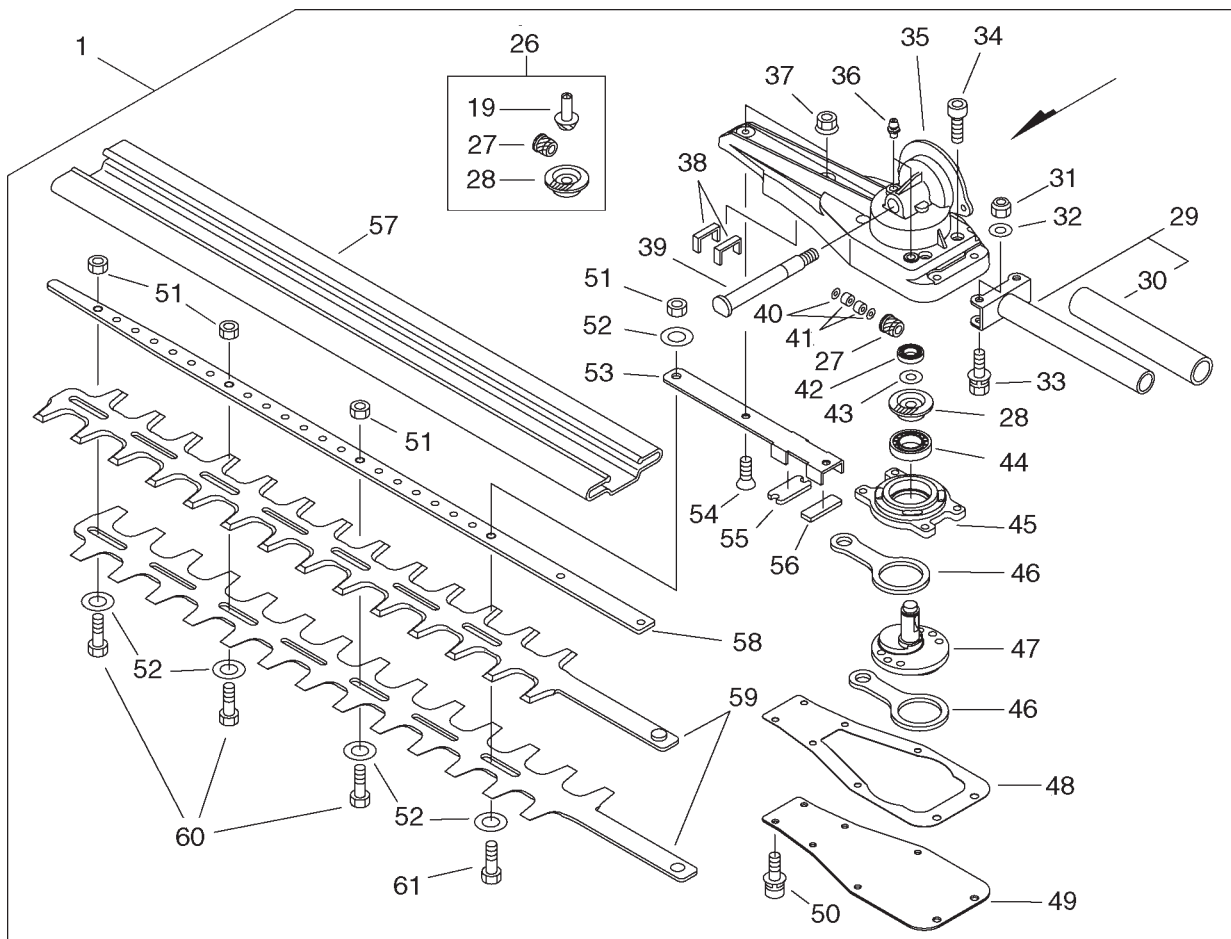




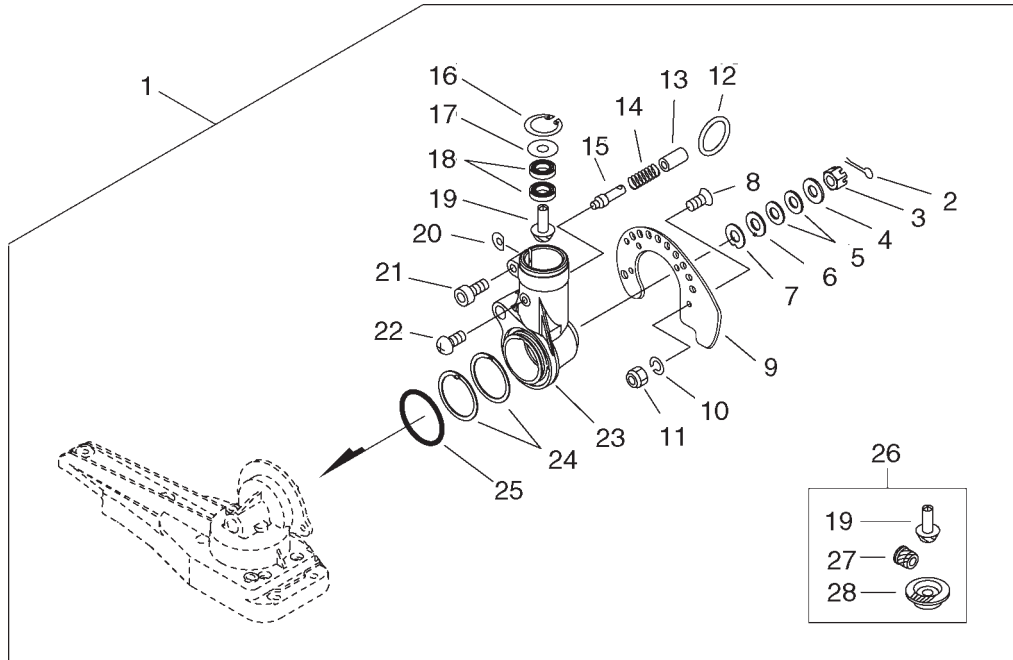
KEY	LV	PART NUMBER	Q'TY	DESCRIPTION	REMARKS
1		C051-000140	1	CASE,GEAR	
2	+	93000-16180	1	PIN SPLIT	
3	+	900529-00008	1	NUT, SLOTT 8	
4	+	V306-000140	1	WASHER,CIRCULAR 8	
5	+	V347-000010	2	WASHER,CONICAL	
6	+	V340-000110	1	WASHER	
7	+	V110-000040	1	GASKET,GEAR CASE	
8	+	900212-04012	2	SCREW 4*12	
9	+	C465-000010	1	RESETTER, LATCH	
10	+	900605-00004	2	WASHER, SPRING 4	
11	+	900560-00004	2	LOCKNUT	
12	+	V583-000050	1	RING	
13	+	V355-000310	1	COLLAR,8	
14	+	V450-000420	1	SPRING,COMPRESSION	
15	+	V642-000020	1	PIN,LINCH	
16	+	900702-00022	1	CIRCLIP 22	
17	+	V583-000060	1	RING	
18	+	900859-06900	2	BEARING, BALL 6900	
19	+	V651-000240	1	GEAR,BEVEL	
20	+	V340-000170	1	WASHER	
21	+	900162-05025	1	BOLT, H.S. 5*25	
22	+	900242-05012	1	SCREW 5*12	
23	+	C531-000292	1	CASE,GEAR	
24	+	V340-000120	2	WASHER	
25	+	900724-00032	1	O-RING	



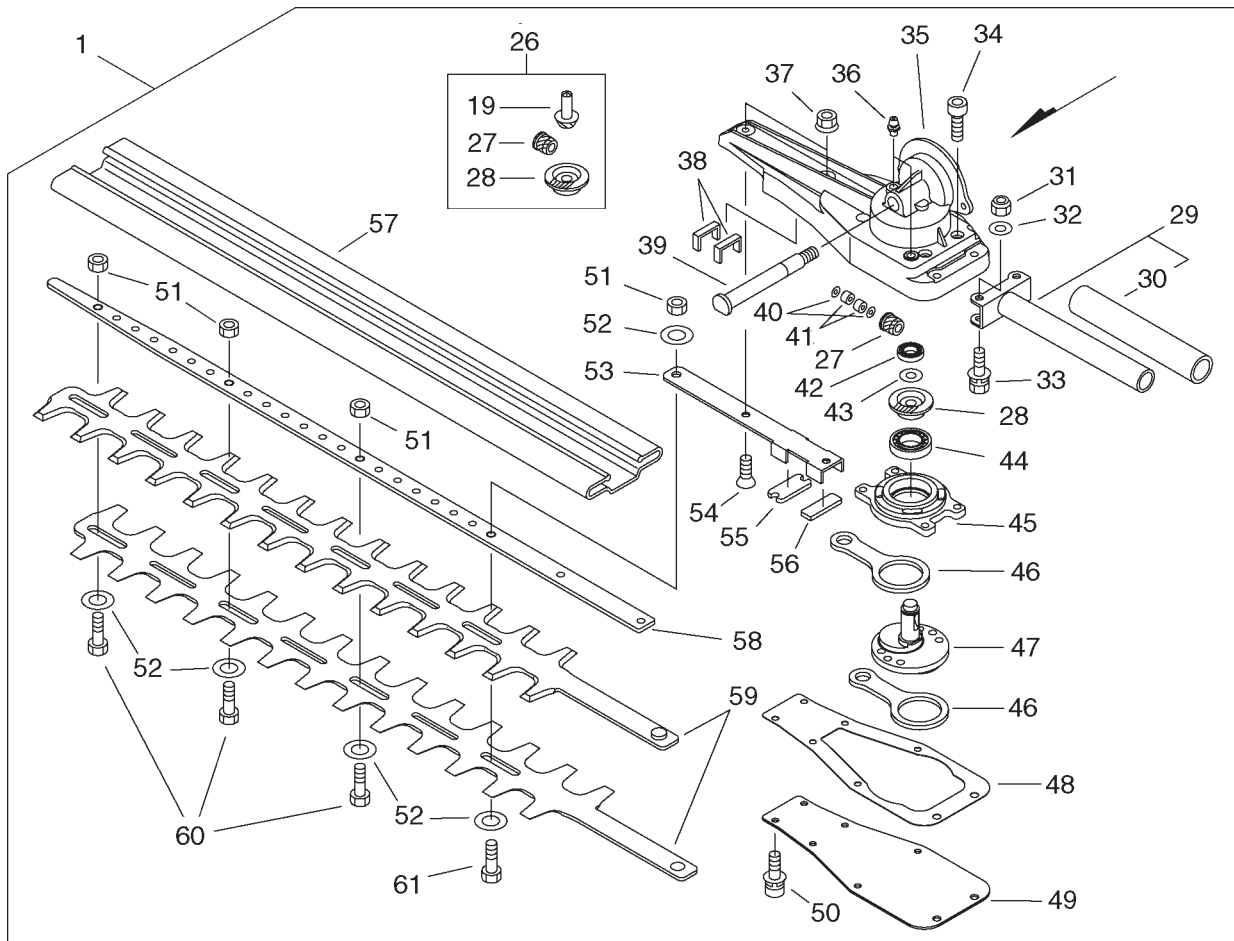
KEY	LV	PART NUMBER	Q'TY	DESCRIPTION	REMARKS
26	+	P021-010690	1	BEVEL GEAR SET	
19	++	V651-000240	1	GEAR,BEVEL	
27	++	V651-000250	1	GEAR,BEVEL	
28	++	V651-000260	1	GEAR,BEVEL	
29	+	351305-12360	1	HANDLE	
30	++	351315-12360	1	GRIP,HANDLE	
31	+	900560-00005	2	NUT, LOCK 5	
32	+	900600-00005	2	WASHER 5	
33	+	900142-05028	2	BOLT 5*28 (W/W,SW)	
34	+	900105-05008	4	BOLT, H.S. 5*8	
35	+	C531-000302	1	CASE,GEAR	
36	+	880110-10860	2	NIPPLE, GREASE	
37	+	900516-00005	2	NUT, FRANGE 5	
38	+	V541-000130	2	SEAL	
39	+	C534-000260	1	SHAFT,GEAR	
40	+	V307-000150	2	WASHER,CIRCULAR 10	
41	+	V555-000040	2	BEARING,NEEDLE 10	
42	+	900855-06900	1	BEARING, BALL 6900	
43	+	V583-000040	1	RING	
44	+	900800-06001	1	BEARING, BALL 6001	
45	+	C503-000072	1	HOLDER,BEARING	
46	+	C532-000140	2	ROD, CONNECTING	
47	+	C533-000041	1	CAM	
48	+	V110-000051	1	GASKET,GEAR CASE	



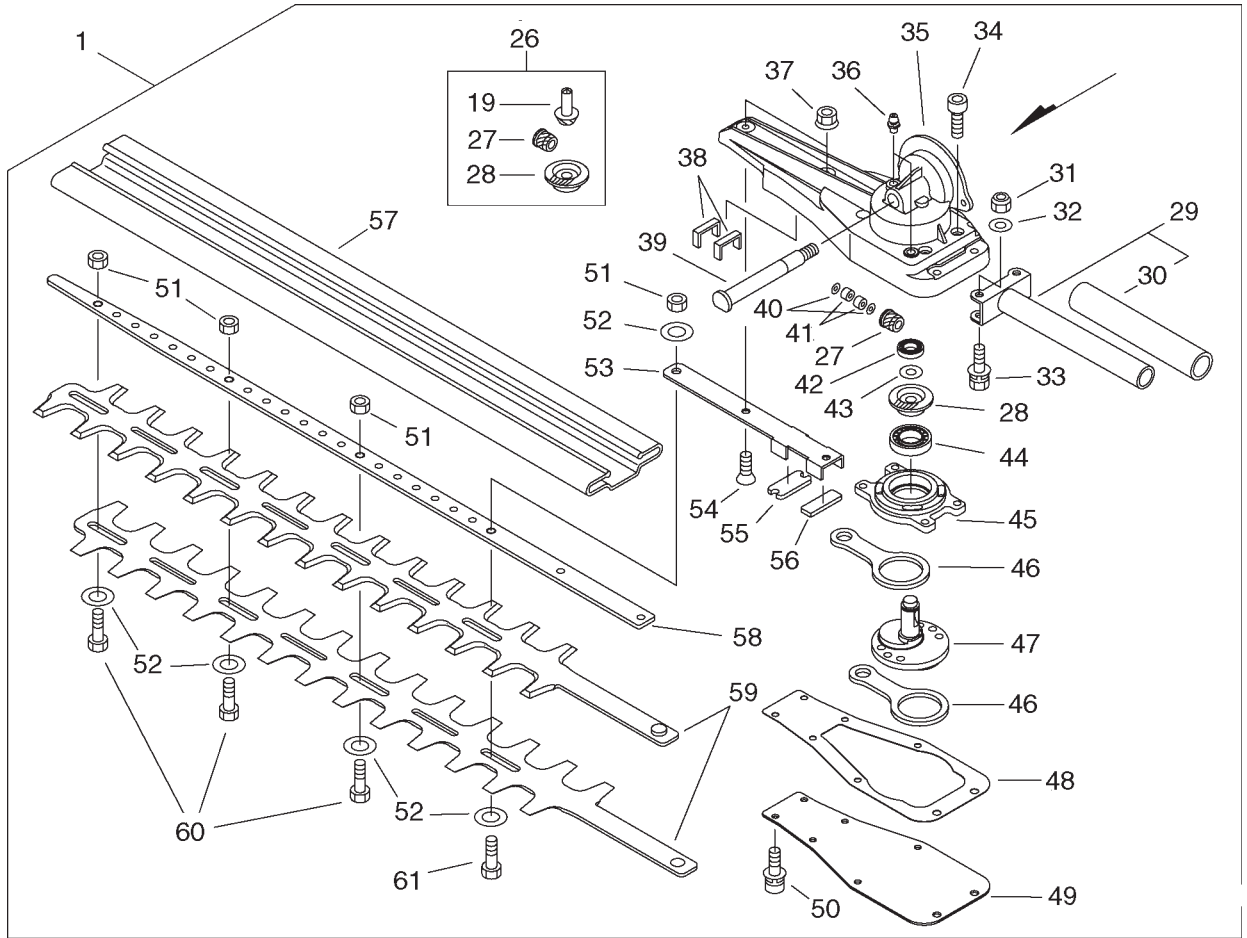
KEY	LV	PART NUMBER	Q'TY	DESCRIPTION	REMARKS
49	+	C539-000010	1	LID,GEARCASE	
50	+	900162-04014	6	BOLT, H.S. 4*14	
51	+	433022-06460	4	NUT	
52	+	699118-04560	5	WASHER	
53	+	C538-000120	1	GUIDE,CUTTER	
54	+	900212-05020	2	SCREW 5*20	
55	+	C538-000110	1	GUIDE,CUTTER	
56	+	C538-000100	1	GUIDE,CUTTER	
57	+	X495-000060	1	SCABBARD,BLADE	
58	+	X425-000220	1	SUPPORT,CUTTER	
59	+	X411-000350	2	CUTTER	
60	+	699115-04660	3	BOLT 6	
61	+	699115-07760	1	BOLT, CUTTER	



KEY	LV	PART NUMBER	Q'TY	DESCRIPTION	REMARKS
1		C051-000280	1	CASE,GEAR	
2	+	93000-16180	1	PIN SPLIT	
3	+	900529-00008	1	NUT, SLOTT 8	
4	+	V306-000140	1	WASHER,CIRCULAR 8	
5	+	V347-000010	2	WASHER,CONICAL	
6	+	V340-000110	1	WASHER	
7	+	V110-000040	1	GASKET,GEAR CASE	
8	+	900212-04012	2	SCREW 4*12	
9	+	C465-000010	1	RESETTER, LATCH	
10	+	900605-00004	2	WASHER, SPRING 4	
11	+	900560-00004	2	LOCKNUT	
12	+	V583-000050	1	RING	
13	+	V355-000310	1	COLLAR,8	
14	+	V450-000420	1	SPRING,COMPRESSION	
15	+	V642-000020	1	PIN,LINCH	
16	+	900702-00022	1	CIRCLIP 22	
17	+	V583-000060	1	RING	
18	+	900859-06900	2	BEARING, BALL 6900	
19	+	V651-000340	1	GEAR,BEVEL	
20	+	V340-000170	1	WASHER	
21	+	900162-05025	1	BOLT, H.S. 5*25	
22	+	900242-05012	1	SCREW 5*12	
23	+	C531-000292	1	CASE,GEAR	
24	+	V340-000120	2	WASHER	
25	+	900724-00032	1	O-RING	



KEY	LV	PART NUMBER	Q'TY	DESCRIPTION	REMARKS
26	+	P021-016000	1	BEVEL GEAR SET	
19	++	V651-000340	1	GEAR,BEVEL	
27	++	V651-000250	1	GEAR,BEVEL	
28	++	V651-000260	1	GEAR,BEVEL	
29	+	351305-12360	1	HANDLE	
30	++	351315-12360	1	GRIP, HANDLE	
31	+	900560-00005	2	NUT, LOCK 5	
32	+	900600-00005	2	WASHER 5	
33	+	900142-05028	2	BOLT 5*28 (W/W,SW)	
34	+	900105-05008	4	BOLT, H.S. 5*8	
35	+	C531-000302	1	CASE,GEAR	
36	+	880110-10860	2	NIPPLE, GREASE	
37	+	900516-00005	2	NUT, FRANGE 5	
38	+	V541-000130	2	SEAL	
39	+	C534-000260	1	SHAFT,GEAR	
40	+	V307-000150	2	WASHER,CIRCULAR 10	
41	+	V555-000040	2	BEARING,NEEDLE 10	
42	+	900855-06900	1	BEARING, BALL 6900	
43	+	V583-000040	1	RING	
44	+	900800-06001	1	BEARING, BALL 6001	
45	+	C503-000072	1	HOLDER,BEARING	
46	+	C532-000140	2	ROD,CONNECTING	
47	+	C533-000041	1	CAM	
48	+	V110-000051	1	GASKET,GEAR CASE	



KEY	LV	PART NUMBER	Q'TY	DESCRIPTION	REMARKS
49	+	C539-000010	1	LID,GEARCASE	
50	+	900162-04014	6	BOLT, H.S. 4*14	
51	+	433022-06460	4	NUT	
52	+	699118-04560	5	WASHER	
53	+	C538-000120	1	GUIDE,CUTTER	
54	+	900212-05020	2	SCREW 5*20	
55	+	C538-000110	1	GUIDE,CUTTER	
56	+	C538-000100	1	GUIDE,CUTTER	
57	+	X495-000060	1	SCABBARD,BLADE	
58	+	X425-000220	1	SUPPORT,CUTTER	
59	+	X411-000350	2	CUTTER	
60	+	699115-04660	3	BOLT 6	
61	+	699115-07760	1	BOLT, CUTTER	

**Index**

<b>Parts Number</b>	<b>Key No.</b>	<b>Parts Number</b>	<b>Key No.</b>	<b>Parts Number</b>	<b>Key No.</b>
C050-000860	3 - 1	C538-000120	5 - 53	V450-000420	5 - 14
C051-000140	2 - 1	C539-000010	1 - 49	V541-000130	1 - 38
C051-000140	4 - 1	C539-000010	2 - 49	V541-000130	2 - 38
C051-000270	1 - 1	C539-000010	4 - 49	V541-000130	4 - 38
C051-000280	5 - 1	C539-000010	5 - 49	V541-000130	5 - 38
C403-000100	3 - 6	C649-000120	3 - 12	V555-000040	1 - 41
C440-000020	3 - 7	P021-010690	2 - 26	V555-000040	2 - 41
C465-000010	1 - 9	P021-010690	4 - 26	V555-000040	4 - 41
C465-000010	2 - 9	P021-016000	5 - 26	V555-000040	5 - 41
C465-000010	4 - 9	P021-016010	1 - 26	V583-000040	1 - 43
C465-000010	5 - 9	V110-000040	1 - 7	V583-000040	2 - 43
C503-000072	1 - 45	V110-000040	2 - 7	V583-000040	4 - 43
C503-000072	2 - 45	V110-000040	4 - 7	V583-000040	5 - 43
C503-000072	4 - 45	V110-000040	5 - 7	V583-000050	1 - 12
C503-000072	5 - 45	V110-000051	1 - 48	V583-000050	2 - 12
C506-000071	3 - 5	V110-000051	2 - 48	V583-000050	4 - 12
C507-000100	3 - 4	V110-000051	4 - 48	V583-000050	5 - 12
C525-000010	3 - 11	V110-000051	5 - 48	V583-000060	1 - 17
C531-000292	1 - 23	V306-000140	1 - 4	V583-000060	2 - 17
C531-000292	2 - 23	V306-000140	2 - 4	V583-000060	4 - 17
C531-000292	4 - 23	V306-000140	4 - 4	V583-000060	5 - 17
C531-000292	5 - 23	V306-000140	5 - 4	V642-000020	1 - 15
C531-000302	1 - 35	V307-000150	1 - 40	V642-000020	2 - 15
C531-000302	2 - 35	V307-000150	2 - 40	V642-000020	4 - 15
C531-000302	4 - 35	V307-000150	4 - 40	V642-000020	5 - 15
C531-000302	5 - 35	V307-000150	5 - 40	V651-000240	2 - 19
C532-000140	1 - 46	V340-000110	1 - 6	V651-000240	4 - 19
C532-000140	2 - 46	V340-000110	2 - 6	V651-000250	1 - 27
C532-000140	4 - 46	V340-000110	4 - 6	V651-000250	2 - 27
C532-000140	5 - 46	V340-000110	5 - 6	V651-000250	4 - 27
C533-000041	1 - 47	V340-000120	1 - 24	V651-000250	5 - 27
C533-000041	2 - 47	V340-000120	2 - 24	V651-000260	1 - 28
C533-000041	4 - 47	V340-000120	4 - 24	V651-000260	2 - 28
C533-000041	5 - 47	V340-000120	5 - 24	V651-000260	4 - 28
C534-000260	1 - 39	V340-000170	1 - 20	V651-000260	5 - 28
C534-000260	2 - 39	V340-000170	2 - 20	V651-000330	1 - 19
C534-000260	4 - 39	V340-000170	4 - 20	V651-000340	5 - 19
C534-000260	5 - 39	V340-000170	5 - 20	X411-000350	1 - 59
C538-000100	1 - 56	V347-000010	1 - 5	X411-000350	2 - 59
C538-000100	2 - 56	V347-000010	2 - 5	X411-000350	4 - 59
C538-000100	4 - 56	V347-000010	4 - 5	X411-000350	5 - 59
C538-000100	5 - 56	V347-000010	5 - 5	X425-000220	1 - 58
C538-000110	1 - 55	V355-000310	1 - 13	X425-000220	2 - 58
C538-000110	2 - 55	V355-000310	2 - 13	X425-000220	4 - 58
C538-000110	4 - 55	V355-000310	4 - 13	X425-000220	5 - 58
C538-000110	5 - 55	V355-000310	5 - 13	X495-000060	1 - 57
C538-000120	1 - 53	V450-000420	1 - 14	X495-000060	2 - 57
C538-000120	2 - 53	V450-000420	2 - 14	X495-000060	4 - 57
C538-000120	4 - 53	V450-000420	4 - 14	X495-000060	5 - 57

**Index**

<b>Parts Number</b>	<b>Key No.</b>	<b>Parts Number</b>	<b>Key No.</b>	<b>Parts Number</b>	<b>Key No.</b>
351305-12360	1 - 29	900212-04012	4 - 8	900855-06900	4 - 42
351305-12360	2 - 29	900212-04012	5 - 8	900855-06900	5 - 42
351305-12360	4 - 29	900212-05020	1 - 54	900859-06900	1 - 18
351305-12360	5 - 29	900212-05020	2 - 54	900859-06900	2 - 18
351315-12360	1 - 30	900212-05020	4 - 54	900859-06900	4 - 18
351315-12360	2 - 30	900212-05020	5 - 54	900859-06900	5 - 18
351315-12360	4 - 30	900242-05012	1 - 22	93000-16180	1 - 2
351315-12360	5 - 30	900242-05012	2 - 22	93000-16180	2 - 2
433022-06460	1 - 51	900242-05012	4 - 22	93000-16180	4 - 2
433022-06460	2 - 51	900242-05012	5 - 22	93000-16180	5 - 2
433022-06460	4 - 51	900500-00005	3 - 8		
433022-06460	5 - 51	900516-00005	1 - 37		
610246-44730	3 - 3	900516-00005	2 - 37		
699115-04660	1 - 60	900516-00005	4 - 37		
699115-04660	2 - 60	900516-00005	5 - 37		
699115-04660	4 - 60	900529-00008	1 - 3		
699115-04660	5 - 60	900529-00008	2 - 3		
699115-07760	1 - 61	900529-00008	4 - 3		
699115-07760	2 - 61	900529-00008	5 - 3		
699115-07760	4 - 61	900560-00004	1 - 11		
699115-07760	5 - 61	900560-00004	2 - 11		
699118-04560	1 - 52	900560-00004	4 - 11		
699118-04560	2 - 52	900560-00004	5 - 11		
699118-04560	4 - 52	900560-00005	1 - 31		
699118-04560	5 - 52	900560-00005	2 - 31		
880110-10860	1 - 36	900560-00005	4 - 31		
880110-10860	2 - 36	900560-00005	5 - 31		
880110-10860	4 - 36	900600-00005	1 - 32		
880110-10860	5 - 36	900600-00005	2 - 32		
890617-12361	3 - 10	900600-00005	4 - 32		
900105-05008	1 - 34	900600-00005	5 - 32		
900105-05008	2 - 34	900605-00004	1 - 10		
900105-05008	4 - 34	900605-00004	2 - 10		
900105-05008	5 - 34	900605-00004	4 - 10		
900142-05020	3 - 9	900605-00004	5 - 10		
900142-05028	1 - 33	900702-00022	1 - 16		
900142-05028	2 - 33	900702-00022	2 - 16		
900142-05028	4 - 33	900702-00022	4 - 16		
900142-05028	5 - 33	900702-00022	5 - 16		
900162-04014	1 - 50	900724-00032	1 - 25		
900162-04014	2 - 50	900724-00032	2 - 25		
900162-04014	4 - 50	900724-00032	4 - 25		
900162-04014	5 - 50	900724-00032	5 - 25		
900162-05025	1 - 21	900800-06001	1 - 44		
900162-05025	2 - 21	900800-06001	2 - 44		
900162-05025	4 - 21	900800-06001	4 - 44		
900162-05025	5 - 21	900800-06001	5 - 44		
900212-04012	1 - 8	900855-06900	1 - 42		
900212-04012	2 - 8	900855-06900	2 - 42		



# YAMABIKO CORPORATION

7-2 SUEHIROCHO 1-CHOME, OHME, TOKYO 198-8760, JAPAN  
PHONE: 81-428-32-6118. FAX: 81-428-32-6145.

